

The EC7008-WK Wireless Camera and Monitor Kit from ECCO is designed to provide a driver with video and audio from up to four cameras individually or together on a split screen for ultimate driver awareness. When properly installed and used in conjunction with vehicle mirrors, ECCO's EC7008-WK assists drivers during hazardous parking and backing situations. This manual provides information about installation, function, safety, maintenance, replacement parts and warranty.



### **WARNING!**

Failure to install or use this product according to manufacturer's recommendations may result in property damage, serious bodily/personal injury, and/or death to you and those you are seeking to protect!

### Do not install and/or operate this safety product unless you have read and understand the safety information contained


1. Proper installation combined with operator training in the use, care, and maintenance of safety products are essential to ensure the safety of you and those you are trying to protect.
2. Exercise caution when working with live electrical connections.
3. This product must be properly grounded. Inadequate grounding and/or shorting of electrical connections can cause high current arcing, which can cause personal injury and/or severe vehicle damage, including fire.
4. Proper placement and installation are vital to the performance of this safety product. Install this product so that the performance of the system is maximized and the controls are placed within convenient reach of the operator so that s/he can operate the system without losing eye contact with the roadway.
5. It is the responsibility of the vehicle operator to ensure during use that all features of this product work correctly. In use, the vehicle operator should ensure the field-of-view of the camera/monitor is not blocked by vehicle components (i.e., open trunks or compartment doors), people, vehicles, or other obstructions.
6. Never take the right-of-way for granted. It is your responsibility to be sure you can proceed safely before entering an intersection, driving against traffic, responding at a high rate of speed, walking on or around traffic lanes.
7. This equipment is intended for use by authorized personnel only. The user is responsible for understanding and obeying all laws regarding safety products. Therefore, the user should check all applicable city, state, and federal laws and regulations. The manufacturer assumes no liability for any loss resulting from the use of this safety product.

### Specifications:

Camera	EC2027-WC
Image Device	1/3" CMOS
TV System	PAL/NTSC
Array Size	728x488 Pixels
Sensing Area	4.6228mm x 3.6112mm
Scanning System	2:1 Interlace
Sync. System	Internal
Resolution	500 TV Lines
Min. Illumination	0.1 Lux (day), 0 Lux (with IR)
Microphone	Yes
Video Output	1.0 vp-p, 75 Ohm
AGC	Auto
S/N Ratio	Better than 48 dB
White Balance	Auto
BLC	Auto
Current Consumption	Max. 250mA@12V/140mA@24V
Operating Frequency	2400-2483.5-MHz
Transmitting Distance	120M (barrier free)
Decompression Form	MPEG4
Transmit Output Power	17 dBm
RF Bit Rate	4Mbps
Operating Temperature	-20°C~70°C, RH 90% Max.
Storage Temperature	-30°C~80°C, RH 90% Max.

Monitor	EC7008-WK 7" LCD Monitor
LCD Size	7"
Resolution	800 x 3 (RGB) x 480
Contrast	500:1
Brightness	400 cd/m <sup>2</sup>
Viewing Angle	U: 50 / D: 70, R/L: 70
DOT Pitch	0.0642(W) x 0.1790(H)
Aspect Ratio	16:9
Channel	4 Channels
Operating Frequency	2400 - 2483.5 MHz
Receiving Sensitivity	-89 dBm
Decompression Form	MPEG4
Modulation	2.4G FSK/GFSK
Time Delay	120ms
Transmitting Distance	120 M
Micro-SD/TF Card	Max. 128G
System Format	PAL/NTSC
Power Supply	DC 10-32V
Power Consumption	Max. 6W
Loudspeaker	1.5W/8
Operating Temperature	-20°~+70°C, RH90%
Storage Temperature	-30°~+80°C, RH90%

### Installation, Wiring and Function

 **Caution!** When drilling into any vehicle surface, make sure that the area is free from any electrical wires, fuel lines, vehicle upholstery, etc. that could be damaged.

**Notes:**

1. Larger wires and tight connections will provide longer service life for components. For high current wires it is recommended that terminal blocks or soldered connections be used with shrink tubing to protect the connections. Do not use insulation displacement connectors (e.g., 3M Scotchlock type connectors)
2. Route wiring using grommets and sealant when passing through compartment walls. Minimize the number of splices to reduce voltage drop. High ambient temperatures (e.g., under-hood) will significantly reduce the current carrying capacity of wires, fuses, and circuit breakers. All wiring should conform to the minimum wire size and other recommendations of the manufacturer and be protected from moving parts and hot surfaces. Looms, grommets, cable ties, and similar installation hardware should be used to anchor and protect all wiring.
3. Fuses or circuit breakers should be located as close to the power takeoff points as possible and properly sized to protect the wiring and devices.
4. Particular attention should be paid to the location and method of making electrical connections and splices to protect these points from corrosion and loss of conductivity.
5. Ground termination should be only be made to substantial chassis components, preferably directly to the vehicle battery.
6. Circuit breakers are very sensitive to high temperatures and will "false trip" when mounted in hot environments or operated close to their capacity.

**CAMERA MODEL EC2027-WC  
INSTALLATION AND MOUNTING:**

**Important!** Mount the camera at a location that provides the best view of the area immediately behind the vehicle. Generally, mounting locations toward the top of the vehicle provide the best field of view. Lower mounting locations reduce the field of view and increase the likelihood of damage from road spray.

Carefully remove the unit from its packaging. Examine the unit for transit damage. If damage is found, return the product to your local dealer for warranty replacement. Do not use damaged or broken parts.

**U-BRACKET CAMERA MOUNTING INSTRUCTIONS:**

1. Select a level surface for installation.
2. Drill mounting holes using the lower U-bracket as a template and attach the U-bracket with user supplied hardware.
3. Install the camera and sun-visor on the U-bracket as shown in Figure 1.
4. Adjust the camera's position for the best viewing angle before tightening the two screws on each end.
5. Attach the antenna such that it is vertical.

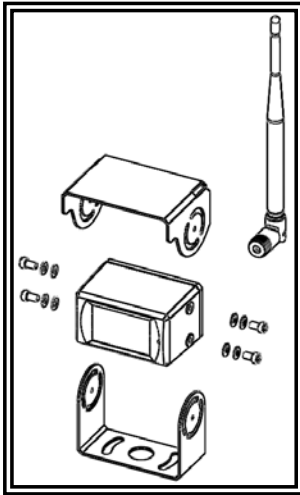


Figure 1

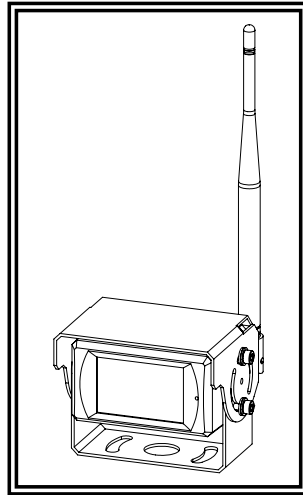


Figure 2

For reference only

**WIRING INSTRUCTIONS:**

**Important!** Waterproof all connections whether inside or outside the vehicle by using sealant and wrapping with insulation tape. Wrap tape tightly, overlapping by one-half widths so there are no gaps.

The unit is designed for electrical systems from 12 to 24 VDC (10 to 30 VDC extremes).  
The wiring for all systems is:

Red Wire Positive (+)  
Black Wire Negative (-)

All wiring should be a minimum of 20 AWG. A 3-amp fuse in the positive line is required (see Figure 3).

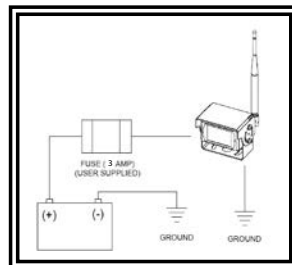


Figure 3

# MONITOR MODEL EC7008-WM INSTALLATION AND MOUNTING:



## WARNING!

To prevent accidental shock, DO NOT OPEN THE MONITOR CASE. Opening the monitor case will expose the inside of the monitor to conditions that could adversely affect performance. Any evidence of tampering with sealed components will void the warranty.

**Important!** Do not expose the monitor to water, it is not waterproof. Any water that leaks into the monitor could cause extensive damage.

Carefully remove the unit from its packaging. Examine the unit for transit damage. If damage is found, return the product to your local dealer for warranty replacement. Do not use damaged or broken parts.

### U-Bracket Monitor Mounting Instructions

1. Select a level surface for installation.
2. Drill mounting holes using the lower U-bracket as a template and attach the U-bracket with user supplied hardware.
3. Install the monitor on the U-bracket as shown in Figure 4. Adjust the monitor's position for the best viewing angle before tightening the two screws on each end.
4. Attach the sun-visor as shown. Attach the antennas so they point upward.

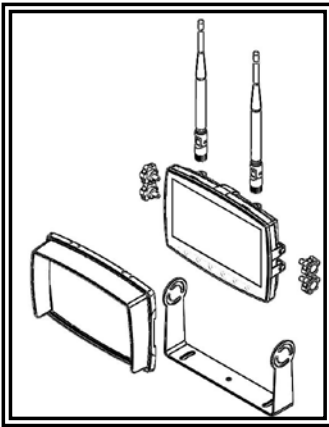


Figure 4

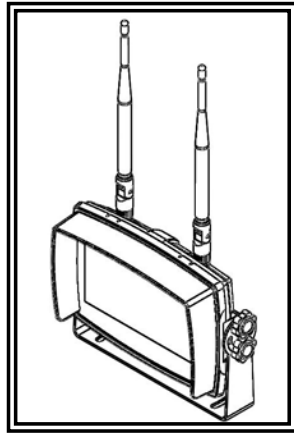


Figure 5

### Pedestal Mounting Instructions:

1. Select a level surface for installation.
2. For mounting the pedestal using the adhesive, prep the surface using rubbing alcohol before installation.
3. For mounting the pedestal using screws, drill mounting holes using the pedestal as a template and attach with user supplied hardware.
4. Install the monitor and sun-visor on the pedestal mount as shown in Figure 7. Adjust the monitor's position for best viewing angel before tightening the set screw on the pedestal mount. Attach the antennas so they point upward.

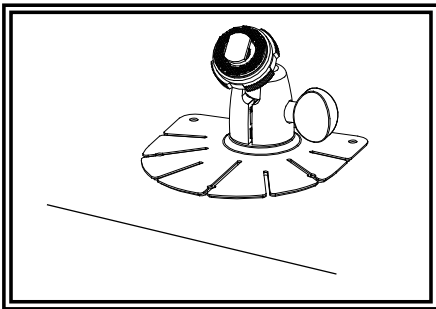


Figure 6

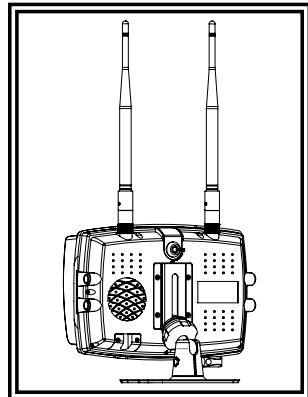


Figure 7

## WIRING INSTRUCTIONS:

**Important!** Waterproof all connections whether inside or outside the vehicle by using sealant and wrapping with insulation tape. Wrap tape tightly, overlapping by one-half widths so there are no gaps.

### Notes:

1. Larger wires and tight connections will provide longer service life for components. For high current wires it is recommended that terminal blocks or soldered connections be used with shrink tubing to protect the connections. Do not use insulation displacement connectors (e.g., 3M Scotchlock type connectors)
2. Route wiring using grommets and sealant when passing through compartment walls. Minimize the number of splices to reduce voltage drop. High ambient temperatures (e.g., under-hood) will significantly reduce the current carrying capacity of wires, fuses, and circuit breakers. All wiring should conform to the minimum wire size and other recommendations of the manufacturer and be protected from moving parts and hot surfaces. Looms, grommets, cable ties, and similar installation hardware should be used to anchor and protect all wiring.
3. Fuses or circuit breakers should be located as close to the power takeoff points as possible and properly sized to protect the wiring and devices.
4. Particular attention should be paid to the location and method of making electrical connections and splices to protect these points from corrosion and loss of conductivity.
5. Ground termination should be only be made to substantial chassis components, preferably directly to the vehicle battery.
6. Circuit breakers are very sensitive to high temperatures and will "false trip" when mounted in hot environments or operated close to their capacity.

The unit is designed for electrical systems from 12 to 24 VDC (10 to 30 VDC extremes). Wiring options are as follows in Figure 8:

All wiring should be a minimum of 26 AWG. A 3-amp fuse in the positive line for the monitor is required.

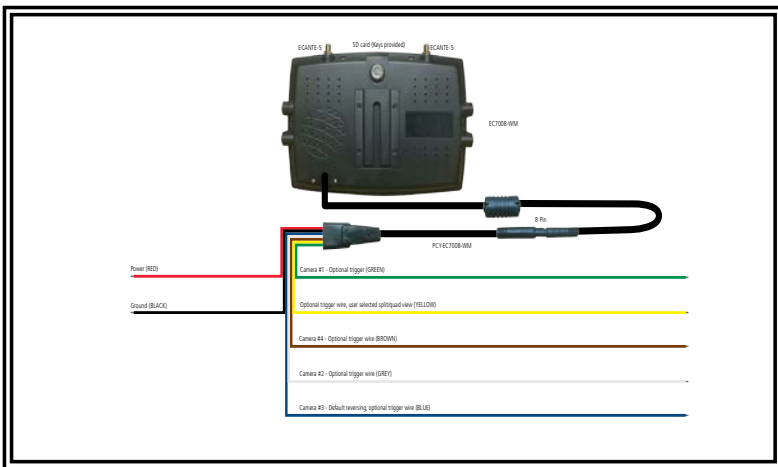
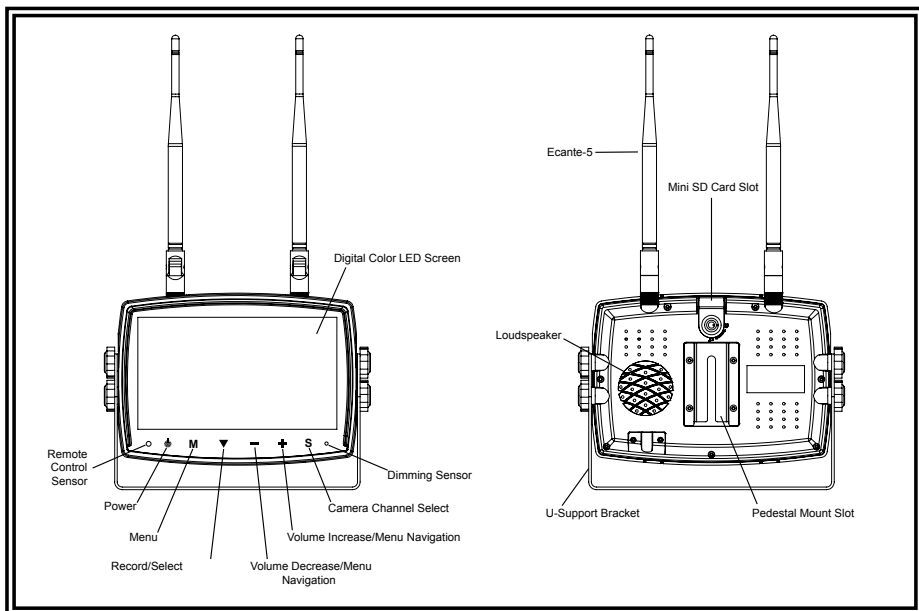
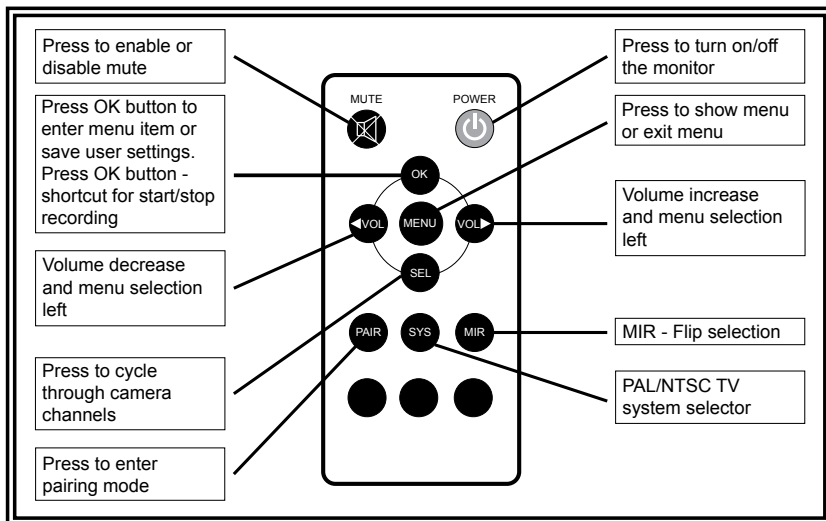


Figure 8

**CAMERA SYSTEM MODEL EC7008-WK  
OPERATING INSTRUCTIONS:**



**MONITOR PARTS IDENTIFICATION**



**WARNING!**

1. Please align the remote control with the remote signal receiver window to operate.
2. Never disassemble the remote control or allow it to drop or get wet.

## VOLUME ADJUSTMENT

During single image modes, the volume can be adjusted using the + and - buttons on the monitor or the < and > buttons on the remote.

During split/quad image modes, the audio from one camera is selected through the split audio menu option, see below for details. Return to any single image mode to adjust the volume.

## SELECTING SPLIT CAMERA VIEW

Press the S button on the monitor until split view CAM1 and CAM2 appears on the screen. Press + or - on the monitor (or < or > on the remote control) to cycle through all the split camera views.

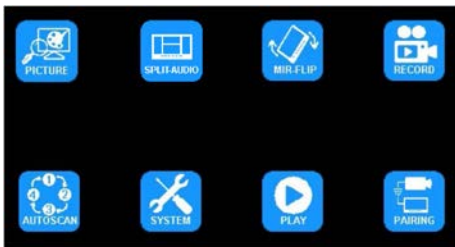
## SPLIT/QUAD IMAGE OVERRIDE SELECTION

To select the yellow trigger override, press the S button until split view CAM1 and CAM2 is on the screen. Apply and hold power to yellow trigger wire and press the + or - button on the monitor (< or > on the remote) to cycle through all split camera views, including quad view. When desired split or quad override view is found, remove yellow trigger wire from power. Wait for camera view to reset. Press S to change to camera view and return to normal viewing mode. Touch the yellow trigger wire to power wire to test if the trigger override is working properly. This view will override all standard views when power is applied to yellow.

## MENU OPTIONS

Press M (or MENU on the remote) to display the following options and settings:

1. PICTURE
2. SPLIT-AUDIO
3. MIR-FLIP
4. RECORD
5. AUTOSCAN
6. SYSTEM
7. PLAY
8. PAIRING



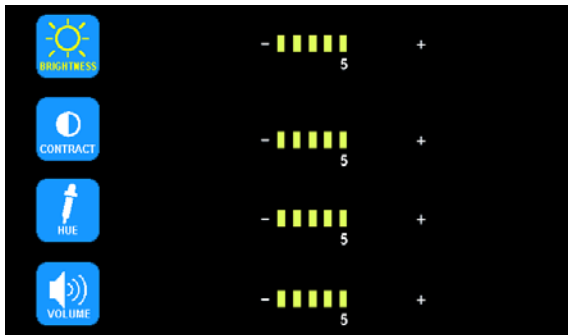
### MENU OPTION: PICTURE IMAGE MODE OPTIONS

Using the monitor:

1. Press S to enter the single image mode to be adjusted.
2. Press M to enter the Menu
3. Use the + or - to highlight the PICTURE Option
4. Press the down arrow to enter the PICTURE Option
5. Use the + or - to highlight the desired adjustment
6. Press the down arrow to enter the adjustment option
7. Use the + or - to change the settings
8. Press the down arrow to exit the adjustment option
9. Press M twice to return to the main screen

Using the remote:

1. Press SEL to enter the single image mode to be adjusted
2. Press MENU to enter the Menu
3. Use the < or > to highlight the PICTURE Option
4. Press OK to enter the PICTURE Option
5. Use the < or > to highlight the desired adjustment
6. Press OK to enter the adjustment option
7. Use the < or > to change the settings
8. Press OK to exit the adjustment option
9. Press MENU twice to return to the main screen





## MENU OPTION: SPLIT-AUDIO SPLIT/QUAD IMAGE MODE CAMERA AUDIO ON/OFF SELECTION

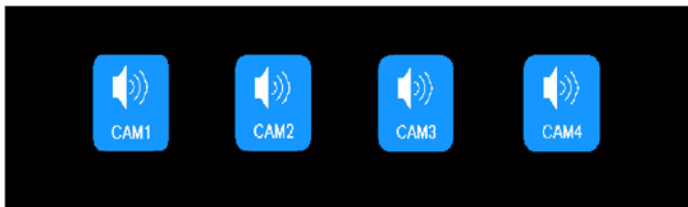
Audio from one camera is selected through the split audio menu option. Return to any single image mode to adjust the volume. The volume selected during any single camera image mode will carry over to all other image modes. Volume can not be adjusted during split or quad image modes.

Using the monitor:

1. Press M to enter the Menu
2. Use the + or - to highlight the SPLIT-AUDIO option
3. Press the down arrow to enter the SPLIT-AUDIO menu
4. Use the + or - to highlight/select the camera to deliver audio
5. Press M twice to return to the main screen

Using the remote:

1. Press MENU to enter the Menu
2. Use the < or > to highlight the SPLIT-AUDIO option
3. Press OK to enter the SPLIT-AUDIO menu
4. Use the < or > to highlight/select the camera to deliver audio
5. Press MENU twice to return to the main screen



## MENU OPTION: MIR-FLIP ROTATION/FLIP OPTIONS

Using the monitor:

1. Press S to enter the single image mode to be adjusted.
2. Press M to enter the Menu
3. Use the + or - to highlight the MIR-FLIP Option
4. Press the down arrow to enter the MIR-FLIP Option
5. Use the + or - to highlight the desired orientation
6. Press M twice to return to the main screen

Using the remote:

1. Press SEL to enter the single image mode to be adjusted
2. Press MIR to rotate the image





## MENU OPTION: RECORD RECORDING OPTIONS

The record function is passcode protected. At initial startup, a 4 digit numerical passcode can be established in order to access the menu. Press the down arrow to select first digit, when number is red, use + or - to select 0 through 9. Press the down arrow to move to the next number and continued until desired 4 digit pin is finished. Press the down arrow to confirm. This passcode will also be used for accessing the playback menu and will be the same 4 digits. In order to access the menu again, you will be prompted to enter the passcode again.

Once the pass code has been set, you can set automatic recording upon start up by selecting the record menu by pressing the down arrow. Use the + or - to select ON or OFF. Press the down arrow to exit and press M to exit the menu.

### Enable/Disable Recording

A blue rectangle at the top of the monitor will indicate active recording as long as a mini SD card has been installed and formatted. See further sections for details. To enable or disable recording in split or quad view, press the down arrow on the monitor or the OK on the remote.

Once OVERWRITE is enabled, any recording that takes place after the mini SD card is to capacity, the system will automatically start overwriting existing recordings. See the table below for recording capacities.

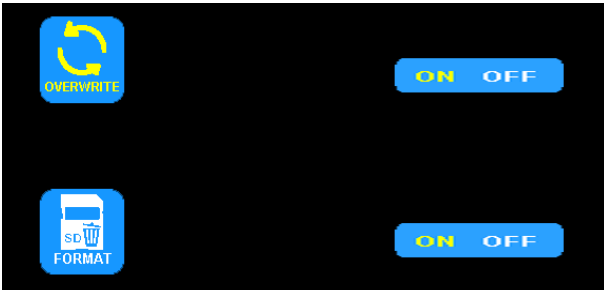
### To enable overwrite or to format a mini SG card

Using the monitor:

1. Press M to enter the Menu
2. Use the + or - to highlight the RECORD Option
3. Press the down arrow to enter the RECORD Option
4. Use the + or - to highlight the desired adjustment
5. Press M twice to return to the main screen

Using the remote:

1. Press MENU to enter the Menu
2. Use the < or > to highlight the RECORD Option
3. Press OK to enter the RECORD Option
4. Use the < or > to highlight the desired adjustment
5. Press MENU twice to return to the main screen



Mode	8G	16G	32G	64G	128G
SINGLE (640x480x1)	14h	28h	55h	110h	220h
QUAD (320x240x4)	11h	22h	43h	86h	172h
SPLIT (400x480x2)	13h	25h	50h	101h	201h



## MENU OPTION: AUTOSCAN AUTOSCAN OPTIONS

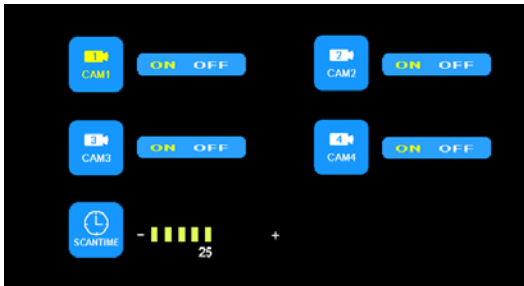
AUTOSCAN is disabled by default when all cameras are set to off in the AUTOSCAN menu. AUTOSCAN is enabled once one or more cameras are set to ON in the AUTOSCAN menu. Once enabled, AUTOSCAN occurs as an additional image mode between the split and CAM1 image modes. The SCANTIME, or time interval for each camera, is in seconds.

Using the monitor:

1. Press M to enter the Menu
2. Use the + or - to highlight the AUTOSCAN Option
3. Press the down arrow to enter the AUTOSCAN Option
4. Use the + or - to highlight the desired adjustment
5. Press the down arrow to enter the adjustment option
6. Use the + or - to change the settings
7. Press the down arrow to exit the adjustment option
8. Press M twice to return to the main screen

Using the remote:

1. Press MENU to enter the Menu
2. Use the < or > to highlight the AUTOSCAN Option
3. Press OK to enter the AUTOSCAN Option
4. Use the < or > to highlight the desired adjustment
5. Press OK to enter the adjustment option
6. Use the < or > to change the settings
7. Press OK to exit the adjustment option
8. Press MENU twice to return to the main screen







## MENU OPTION: SYSTEM SYSTEM OPTIONS

When AUTO-DIM is set to ON, the backlight automatically adjusts in accordance with the outer brightness.

When B-LINE is set to ON, the electronic distance label will be displayed when the blue camera 3 trigger wire is activated.

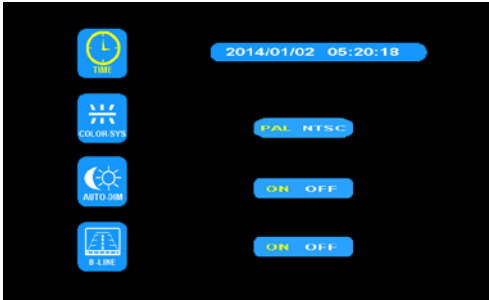
Both PAL and NTSC color system options are available. PAL offers automated color correction and 25 frames per second (fps), popular in Europe and Australia, while NTSC uses manual color correction and 30 fps, popular in the U.S. and Asia.

Using the monitor:

1. Press M to enter the Menu
2. Use the + or - to highlight the SYSTEM Option
3. Press the down arrow to enter the SYSTEM Option
4. Use the + or - to highlight the desired adjustment
5. Press the down arrow to enter the adjustment option
6. Use the + or - to change the settings
7. Press the down arrow to exit the adjustment option
8. Press M twice to return to the main screen

Using the remote:

1. Press MENU to enter the Menu
2. Use the < or > to highlight the SYSTEM Option
3. Press OK to enter the SYSTEM Option
4. Use the < or > to highlight the desired adjustment
5. Press OK to enter the adjustment option
6. Use the < or > to change the settings
7. Press OK to exit the adjustment option
8. Press MENU twice to return to the main screen



## MENU OPTION: PLAY RECORDING PLAYBACK

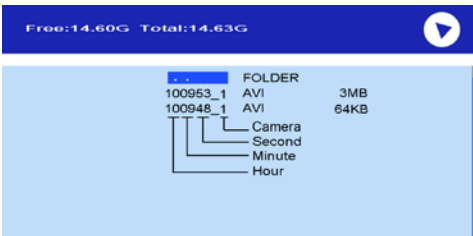
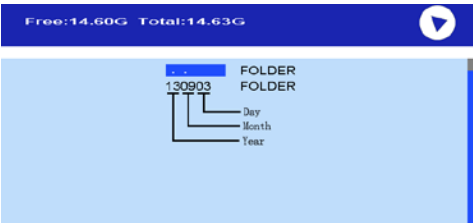
See Record section for setting up a passcode. In order to access the menu after initial setup, you will need the passcode.

Using the monitor:

1. Press S to enter the single image mode to be adjusted.
2. Press M to enter the Menu
3. Use the + or - to highlight the PLAY Option
4. Press the down arrow to enter the PLAY Option
5. Use the + or - to highlight the desired folder labeled by the dates. (See below)
6. Press the down arrow to enter the folder.
7. Use the + or - to highlight the desired recording labeled by the time and image channel. (See below)
8. Press the down arrow to play the recording
9. Press M twice to return to the main screen

Using the remote:

1. Press SEL to enter the single image mode to be adjusted
2. Press MENU to enter the Menu
3. Use the < or > to highlight the PLAY Option
4. Press OK to enter PLAY Option.
5. Use the < or > to highlight the desired recording labeled by the time and image channel. (See below)
6. Press OK to enter the folder
7. Use the < or > to highlight the desired recording labeled by the time and image channel. (See below)
8. Press OK to play the recording
9. Press MENU twice to return to the main screen





## MENU OPTION: PAIRING

Using the monitor:

1. Press S to enter the single image mode to be paired.
2. Press M to enter the Menu
3. Use the + or - to highlight the PAIRING Option
4. Press the down arrow to enter the PAIRING Option
5. The monitor will display the message "PAIRING START 50" and a counter that counts down 50 seconds. Power on the camera within the first 45 seconds
6. The camera will pair with the monitor after 5-8 seconds

Using the remote:

1. Press SEL to enter the single image mode to be paired
2. Press PAIR to enter the PAIRING OPTION
3. The monitor will display the message "PAIRING START 50" and a counter that counts down 50 seconds. Power on the camera within the first 45 seconds
4. The camera will pair with the monitor after 5-8 seconds



## Replacement Parts and Accessories

Description	Part Number
CAMERA	EC2027-WC
MONITOR	EC7008-WM
CABLE	PCY-7008-WM
ANTENNA	ECANTE-5
PEDESTAL MOUNT	MB01
SUN-VISOR	AS7000SS

ECCO warrants that on the date of purchase, this product will conform to ECCO's specifications for this product (which are available from ECCO upon request). This Limited Warranty extends for twelve (12) months from the date of purchase.

DAMAGE TO PARTS OR PRODUCTS RESULTING FROM TAMPERING, ACCIDENT, ABUSE, MISUSE, NEGLIGENCE, UNAPPROVED MODIFICATIONS, FIRE OR OTHER HAZARD; IMPROPER INSTALLATION OR OPERATION; OR NOT BEING MAINTAINED IN ACCORDANCE WITH THE MAINTENANCE PROCEDURES SET FORTH IN ECCO'S INSTALLATION AND OPERATING INSTRUCTIONS VOIDS THIS LIMITED WARRANTY.

**Exclusion of Other Warranties:**

ECCO MAKES NO OTHER WARRANTIES, EXPRESSED OR IMPLIED. THE IMPLIED WARRANTIES FOR MERCHANTABILITY, QUALITY OR FITNESS FOR A PARTICULAR PURPOSE, OR ARISING FROM A COURSE OF DEALING, USAGE OR TRADE PRACTICE ARE HEREBY EXCLUDED AND SHALL NOT APPLY TO THE PRODUCT AND ARE HEREBY DISCLAIMED, EXCEPT TO THE EXTENT PROHIBITED BY APPLICABLE LAW. ORAL STATEMENTS OR REPRESENTATIONS ABOUT THE PRODUCT DO NOT CONSTITUTE WARRANTIES.

**Remedies and Limitation of Liability:**

ECCO'S SOLE LIABILITY AND BUYER'S EXCLUSIVE REMEDY IN CONTRACT, TORT (INCLUDING NEGLIGENCE), OR UNDER ANY OTHER THEORY AGAINST ECCO REGARDING THE PRODUCT AND ITS USE SHALL BE, AT ECCO'S DISCRETION, THE REPLACEMENT OR REPAIR OF THE PRODUCT, OR THE REFUND OF THE PURCHASE PRICE PAID BY BUYER FOR NON-CONFORMING PRODUCT. IN NO EVENT SHALL ECCO'S LIABILITY ARISING OUT OF THIS LIMITED WARRANTY OR ANY OTHER CLAIM RELATED TO THE ECCO'S PRODUCTS EXCEED THE AMOUNT PAID FOR THE PRODUCT BY BUYER AT THE TIME OF THE ORIGINAL PURCHASE. IN NO EVENT SHALL ECCO BE LIABLE FOR LOST PROFITS, THE COST OF SUBSTITUTE EQUIPMENT OR LABOR, PROPERTY DAMAGE, OR OTHER SPECIAL, CONSEQUENTIAL, OR INCIDENTAL DAMAGES BASED UPON ANY CLAIM FOR BREACH OF CONTRACT, IMPROPER INSTALLATION, NEGLIGENCE, OR OTHER CLAIM, EVEN IF ECCO OR A REPRESENTATIVE OF ECCO HAS BEEN ADVISED OF THE POSSIBILITY OF SUCH DAMAGES. ECCO SHALL HAVE NO FURTHER OBLIGATION OR LIABILITY WITH RESPECT TO THE PRODUCT OR ITS SALE, OPERATION AND USE, AND ECCO NEITHER ASSUMES NOR AUTHORIZES THE ASSUMPTION OF ANY OTHER OBLIGATION OR LIABILITY IN CONNECTION WITH SUCH PRODUCT.

This Limited Warranty defines specific legal rights. You may have other legal rights which vary from jurisdiction to jurisdiction. Some jurisdictions do not allow the exclusion or limitation of incidental or consequential damages.

**Declaration of conformity:**

This device complies with Part 15 of the FCC Rules. Operation is subject to the following two conditions:

- (1) This device may not cause harmful interference.
- (2) This device must accept any interference received, including interference that may cause undesired operation.



833 West Diamond St  
Boise, Idaho 83705

**Customer Service**

USA 800-635-5900

UK +44 (0)113 237 5340

AUS +61 (0)3 63322444

[www.eccoeng.com](http://www.eccoeng.com)



El kit de Cámara inalámbrica y monitoreo EC7008-WK de ECCO ha sido diseñado para proporcionar al conductor video y audio provenientes de hasta 4 cámaras de forma individual o conjunta en una pantalla dividida para una máxima percepción del conductor. Cuando se instala correctamente y se usa en conjunto con los espejos del vehículo, el EC7008-WK de ECCO asiste a los conductores en situaciones peligrosas de estacionamiento y retroceso. Este manual ofrece información sobre instalación, funcionamiento, seguridad, mantenimiento, repuestos y garantía.



### ⚠ ¡ADVERTENCIA!

¡Si este producto no se instala o usa de acuerdo con las recomendaciones del fabricante, se pueden provocar daños en la propiedad, lesiones corporales/personales graves y/o su muerte o la muerte de las personas que busca proteger!

### 📖 No instale y/u opere este producto de seguridad a menos que haya leído y entendido la información de seguridad contenida

1. La correcta instalación combinada con la capacitación del operador en el uso, cuidado y mantenimiento de los productos de seguridad son esenciales para asegurar su propia seguridad y la de quienes pretende proteger.
2. Tome precauciones cuando trabaje con conexiones eléctricas vivas.
3. Este producto tiene que ser puesto a tierra correctamente. Una puesta a tierra inadecuada y/o el cortocircuitado de las conexiones eléctricas puede causar el surgimiento de arcos eléctricos de alta corriente, que pueden provocar lesiones personales y/o graves daños al vehículo, incluyendo incendios.
4. Una correcta colocación e instalación son vitales para el rendimiento de este producto de seguridad. Instale este producto para que el rendimiento del sistema sea aprovechado al máximo y los controles estén colocados a un alcance conveniente del operador para que pueda operar el sistema sin perder contacto visual con el camino.
5. Es responsabilidad del operador del vehículo asegurarse que durante el uso, todas las funciones de este producto funcionen correctamente. En uso, el operador del vehículo debe asegurarse que los componentes del vehículo no bloqueen el campo de visión de la cámara/del monitor (es decir, por cajuelas o puertas de compartimentos abiertas), personas, vehículos u otras obstrucciones.
6. Nunca dé por sentado que tiene preferencia de paso. Es responsabilidad suya asegurarse que puede proceder con seguridad antes de ingresar a una intersección, de no conducir contra el tráfico, de responder bien ante velocidades altas y de caminar correctamente en o cerca de los carriles de tránsito.
7. El personal autorizado es el único que debe utilizar estos equipos. El usuario es responsable de entender y obedecer todas las leyes relacionadas a los productos de seguridad. Por tanto, el usuario debe verificar todas las leyes y regulaciones federales, estatales y locales aplicables. El fabricante no es responsable por ninguna pérdida que sea resultado del uso de este producto de seguridad.

### Especificaciones:

Cámara	EC2027-WC
Dispositivo de imágenes	1/3" CMOS
Sistema de TV	PAL/NTSC
Dimensión de la matriz	728x488 píxeles
Área de sensibilidad	4.6228mm x 3.6112mm
Sistema de exploración	Entrelazado 2:1
Sistema de sincronización	Interno
Resolución	500 líneas de TV
Iluminación mín.	0.1 lux (día), 0 lux (con RI)
Micrófono	Sí
Salida de video	1.0 vp-p, 75 Ohm
AGC	Auto
Relación señal/ruido	Mejor que 48 dB
Balance de blancos	Automático
Compensación de luz de fondo	Automático
Consumo de corriente	Máx. 250mA a 12V/140mA a 24V
Frecuencia de operación	2400-2483.5-MHz
Distancia de transmisión	120M (libre de obstáculos)
Forma de descompresión	MPEG4
Potencia de salida de transmisión	17 dBm
Velocidad binario de RF	4Mbps
Temperatura de operación	-20°C~70°C, RH 90% Máx.
Temperatura de Almacenamiento	-30°C~80°C, RH 90% Máx.

Monitor	Monitor LCD EC7008-WK de 7"
Tamaño de pantalla LCD	7"
Resolución	800 x 3 (RGB) x 480
Contraste	500:1
Brillo	400 cd/m <sup>2</sup>
Ángulo de visualización	U: 50 / D: 70, D/I: 70
Tamaño de punto	0.0642 (A) x 0.1790 (H)
Relación de aspecto	16:9
Canal	4 canales
Frecuencia de operación	2400 - 2483.5 MHz
Sensibilidad de recepción	-89 dBm
Forma de descompresión	MPEG4
Modulación	2.4G FSK/GFSK
Retraso de tiempo	120ms
Distancia de transmisión	120 M
Tarjeta SD/TF micro	Máx. 128G
Formato del sistema	PAL/NTSC
Suministro de energía	CC 10-32V
Consumo de energía	Máx. 6W
Altavoz	1.5W/8
Temperatura de operación	-20°~+70°C, RH90%
Temperatura de Almacenamiento	-30°~+80°C, RH90%

### Instalación, cableado y funcionamiento

⚠ ¡Precaución! Cuando taladre en cualquier superficie del vehículo, asegúrese que no haya en el área cables eléctricos, líneas de combustible, tapicería del vehículo, etc. que pudieran dañarse.

**Notas:**

1. Los cables más largos y las conexiones bien ajustadas ofrecerán una mayor vida útil a los componentes. Para cables de alta corriente, se recomienda usar bloques de terminales o conexiones soldadas cuando se intube por contracción para proteger las conexiones. No usa conectores de por desplazamiento en aislamiento (p. ej., conectores tipo Scotchlock de 3M)
2. Enrute el cableado utilizando pasacables y sellante cuando atraviese las paredes del compartimiento. Minimice el número de empalmes para reducir la caída de tensión. Las temperaturas ambiente altas (p. ej., debajo de la cajuela) reducirán significativamente la capacidad de transmisión de la corriente de cables, fusibles e interruptores. Todo el cableado debe estar en conformidad con el tamaño mínimo de cable y otras recomendaciones del fabricante, además de estar protegido de las partes móviles y las superficies calientes. Deben usarse mangueras, pasacables, amarres de cables y accesorios similares de instalación para anclar y proteger todo el cableado.
3. Los fusibles o interruptores deben ubicarse tan cerca de los puntos de toma de potencia como sea posible y deben ajustarse al tamaño exacto para proteger el cableado y los dispositivos.
4. Se debe prestar atención especial a la ubicación y al método para hacer las conexiones eléctricas y empalmes para proteger estos puntos de la corrosión y la pérdida de conductividad.
5. La puesta a tierra solo debe hacerse a componentes sustanciales del chasis, de preferencia directamente a la batería del vehículo.
6. Los interruptores son muy sensibles a altas temperaturas y "se desconectarán falsamente" cuando se monten en ambientes calientes o se operen cerca de su capacidad.

## CÁMERA MODÉLE EC2027-WC

### INSTALLATION ET MONTAGE :

**¡Importante!** Monte la cámara en el lugar que ofrezca la mejor vista del área que se encuentra directamente detrás del vehículo. Generalmente, los lugares de montaje hacia la parte superior del vehículo ofrecen el mejor campo de visión. Los lugares de montaje inferiores reducen el campo de visión y aumentan la probabilidad de daño ante las salpicaduras de la carretera.

Retire cuidadosamente la unidad de su empaque. Examine la unidad para ver si se ha dañado en el tránsito. Si encuentra algún daño, retorne el producto a su distribuidor local para un reemplazo dentro de la garantía. No use partes rotas o dañadas.

### INSTRUCCIONES DE MONTAJE DE LA CÁMERA CON ABRAZADERA EN «U»:

1. Seleccione una superficie nivelada para la instalación.
2. Taladre los orificios de montaje usando la abrazadera en «U» inferior como patrón y fije esta abrazadera con los accesorios suministrados al usuario.
3. Instale la cámara y el visor de sol en la abrazadera en «U» como se muestra en la Figura 1.
4. Ajuste la posición de la cámara para conseguir el mejor ángulo de visualización antes de ajustar los dos tornillos a cada extremo.
5. Fije la antena de tal forma que esté vertical.

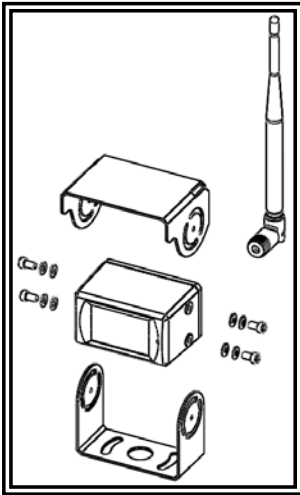


Figura 1

Solo para referencia

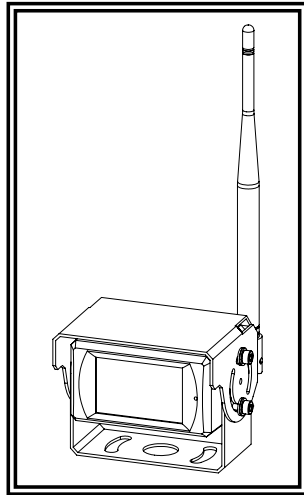


Figura 2

### INSTRUCCIONES DE CABLEADO:

**¡Importante!** Impermeabilice todas las conexiones, ya sea dentro o fuera del vehículo, usando sellante y envolviéndolas con cinta aislante. Envuelva la cinta bien ajustada, traslapando por anchos de .5, para que no haya espacios sin cinta.

La unidad ha sido diseñada para sistemas eléctricos que van de 12 a 24 V de CC (extremos de 10 a 30 V de CC).

El cableado para todos los sistemas es:

Alambre rojo - Positivo (+)  
Alambre negro - Negativo (-)

Todo cableado debe ser de un mínimo de 20 AWG.  
Se requiere un fusible de 3 amps en la línea positiva (ver Figura 3).

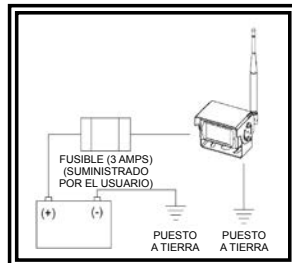


Figura 3

# MODELO DEL MONITOR EC7008-WM INSTALACIÓN Y ENSAMBLAJE:

**¡ADVERTENCIA!**  
Para evitar una descarga accidental, **NO ABRA EL COMPARTIMIENTO DEL MONITOR**. Abrir el compartimiento del monitor expondrá las partes internas del monitor, lo cual podría afectar el rendimiento de forma negativa. Cualquier evidencia de manipulación de los componentes sellados, anulará la garantía.

**¡Importante!** No exponga el monitor al agua, no es impermeable. Cualquier cantidad de agua que se filtre hacia el monitor podría causar un daño grave.

Retire cuidadosamente la unidad de su empaque. Examine la unidad para ver si se ha dañado en el tránsito. Si encuentra algún daño, retorne el producto a su distribuidor local para un reemplazo dentro de la garantía. No use partes rotas o dañadas.

## Instrucciones de montaje del monitor con abrazadera en "U"

1. Seleccione una superficie nivelada para la instalación.
2. Taladre los orificios de montaje usando la abrazadera en "U" inferior como patrón y fije esta abrazadera con los accesorios suministrados al usuario.
3. Instale el monitor en la abrazadera en "U" como se muestra en la Figura 4. Ajuste la posición del monitor para conseguir el mejor ángulo de visualización antes de ajustar los dos tornillos a cada extremo.
4. Fije el visor de sol como se muestra. Fije las antenas para que apunten hacia arriba.

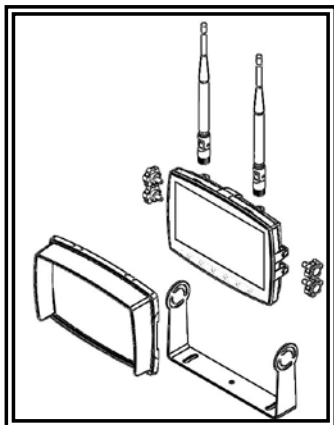


Figura 4

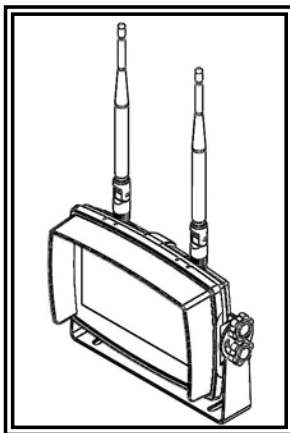


Figura 5

## Instrucciones de ensamblaje del pedestal:

1. Seleccione una superficie nivelada para la instalación.
2. Para ensamblar el pedestal usando el adhesivo, prepare la superficie usando alcohol isopropílico antes de la instalación.
3. Para ensamblar el pedestal usando tornillos, taladre orificios de montaje usando el pedestal como patrón y fíjelo con los accesorios suministrados al usuario.
4. Instale el monitor y el visor de sol en el pedestal como se muestra en la Figura 7. Ajuste la posición del monitor para conseguir el mejor ángulo de visualización antes de ajustar el tornillo fijo en el montaje del pedestal. Fije las antenas para que apunten hacia arriba.

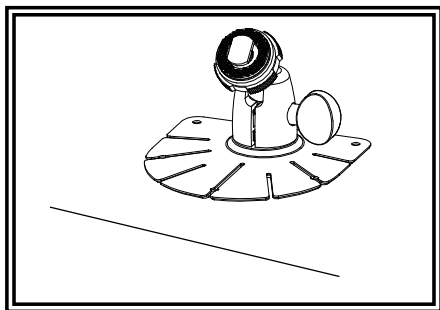


Figura 6

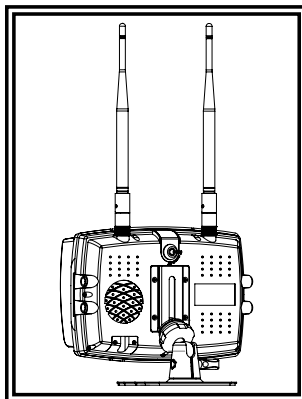


Figura 7

## INSTRUCCIONES DE CABLEADO:

**¡Importante!** Impermeabilice todas las conexiones, ya sea dentro o fuera del vehículo, usando sellante y envolviéndolas con cinta aislante. Envuelva la cinta bien ajustada, traslapando por anchos de 1.5, para que no haya espacios sin cinta.

### Notas:

1. Los cables más largos y las conexiones bien ajustadas ofrecerán una mayor vida útil a los componentes. Para cables de alta corriente, se recomienda usar bloques de terminales o conexiones soldadas cuando se intube por contracción para proteger las conexiones. No usa conectores de por desplazamiento en aislamiento (p. ej., conectores tipo Scotchlock de 3M)
2. Enrute el cableado utilizando pasacables y sellante cuando atraviese las paredes del compartimento. Minimice el número de empalmes para reducir la caída de tensión. Las temperaturas ambiente altas (p. ej., debajo de la cajuela) reducirán significativamente la capacidad de transmisión de la corriente de cables, fusibles e interruptores. Todo el cableado debe estar en conformidad con el tamaño mínimo de cable y otras recomendaciones del fabricante, además de estar protegido de las partes móviles y las superficies calientes. Deben usarse mangueras, pasacables, amarres de cables y accesorios similares de instalación para anclar y proteger todo el cableado.
3. Los fusibles o interruptores deben ubicarse tan cerca de los puntos de toma de potencia como sea posible y deben ajustarse al tamaño exacto para proteger el cableado y los dispositivos.
4. Se debe prestar atención especial a la ubicación y al método para hacer las conexiones eléctricas y empalmes para proteger estos puntos de la corrosión y la pérdida de conductividad.
5. La puesta a tierra solo debe hacerse a componentes sustanciales del chasis, de preferencia directamente a la batería del vehículo.
6. Los interruptores son muy sensibles a altas temperaturas y "se desconectarán falsamente" cuando se monten en ambientes calientes o se operen cerca de su capacidad.

La unidad ha sido diseñada para sistemas eléctricos que van de 12 a 24 V de CC (extremos de 10 a 30 V de CC). En la Figura 8 se observan las opciones de cableado:

Todo cableado debe ser de un mínimo de 26 AWG. Se requiere un fusible de 3 amps en la línea positiva para el monitor.

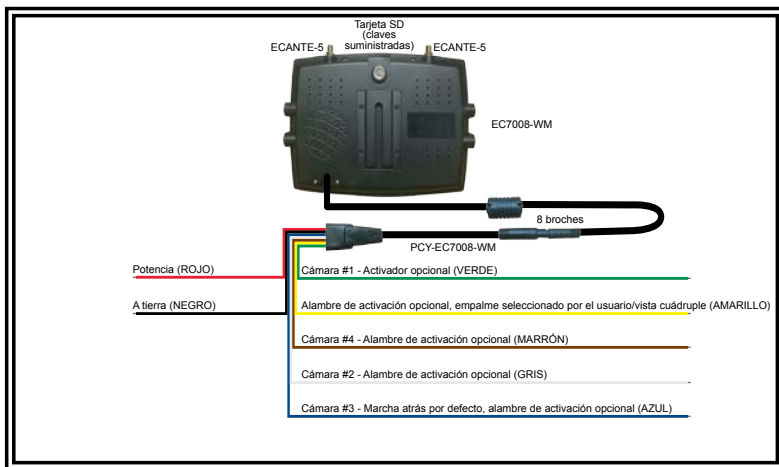
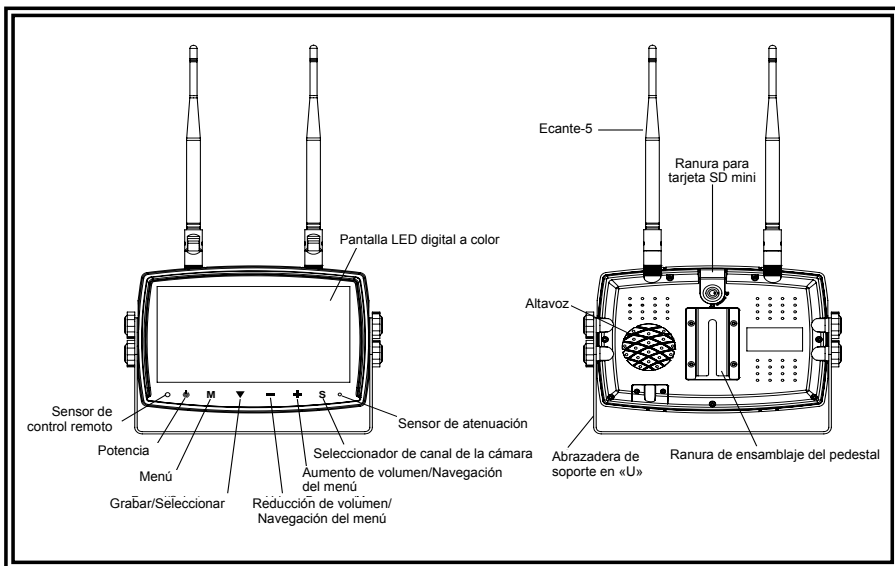
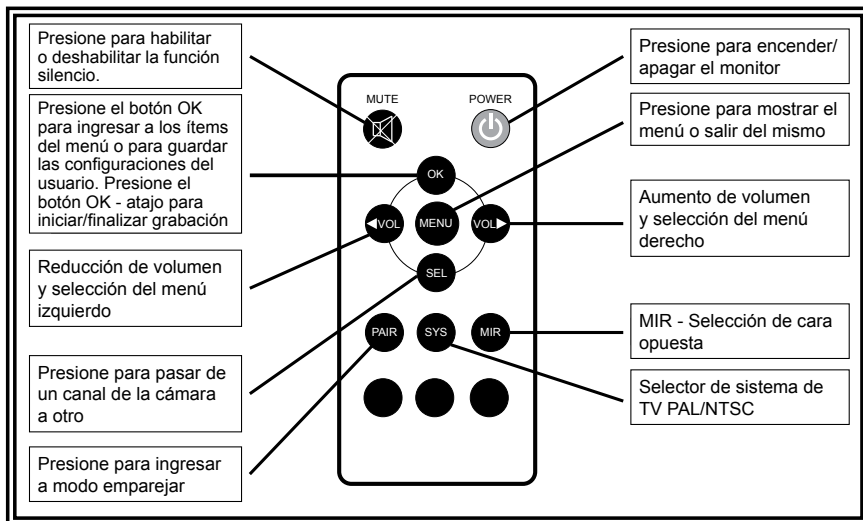


Figura 8



**IDENTIFICACIÓN DE LAS PARTES DEL MONITOR**



**¡ADVERTENCIA!**

1. Alinee el control remoto con la ventana del receptor de señales remotas para operar.
2. Nunca desensamble el control remoto ni permita que alguien lo deje caer o lo moje.



## AJUSTE DEL VOLUMEN

Durante los modos de imagen única, el volumen se puede ajustar usando los botones + y - en el monitor o los botones < y > en el control remoto.

Durante los modos de imagen dividida/cuádruple, el audio de una cámara se selecciona a través de la opción del menú de audio dividido, ver a continuación para mayores detalles. Regrese a cualquier modo de imagen única para ajustar el volumen.

## SELECCIÓN DE VISTA DE CÁMARA DIVIDIDA

Presione el botón S en el monitor hasta que aparezca en pantalla la vista dividida CAM1 y CAM2. Presione + o - en el monitor (o < o > en el control remoto para pasar por todas las vistas de cámaras divididas.

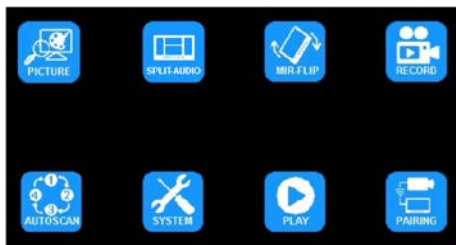
## SELECCIÓN DE ANULACIÓN DE IMAGEN DIVIDIDA/CUÁDRUPLE

Para seleccionar la anulación del activador amarillo, presione el botón S hasta que la vista dividida CAM1 y CAM2 aparezca en pantalla. Aplique y mantenga la corriente al cable amarillo de activación, y presione el botón + o - en el monitor (< o > en el control remoto) para pasar por todas las vistas de cámaras divididas. Para habilitar o deshabilitar la grabación en vista dividida o cuádruple, presione la flecha hacia abajo en el monitor o OK en el control remoto. Esta vista anulará todas las vistas estándar cuando se aplique al amarillo.

## OPCIONES DEL MENÚ

Presione M (o MENÚ en el control remoto) para visualizar las siguientes opciones y configuraciones:

- |                     |                           |
|---------------------|---------------------------|
| 1. IMAGEN           | 5. EXPLORACIÓN AUTOMÁTICA |
| 2. AUDIO DIVIDIDO   | 6. SISTEMA                |
| 3. MIR-CARA OPUESTA | 7. REPRODUCIR             |
| 4. GRABAR           | 8. EMPAREJAR              |



### OPCIONES DEL MENÚ: IMAGEN OPCIONES DEL MODO IMAGEN

Usando el monitor:

1. Presione S para ingresar al modo de imagen única a ser ajustada.
2. Presione M para ingresar al Menú
3. Use + o - para resaltar la Opción IMAGEN
4. Presione la flecha hacia abajo para ingresar a la Opción IMAGEN
5. Use + o - para resaltar el ajuste deseado
6. Presione la flecha hacia abajo para ingresar a la opción de ajuste
7. Use + o - para cambiar las configuraciones
8. Presione la flecha hacia abajo para salir de la opción de ajuste
9. Presione M dos veces para regresar a la pantalla principal

Usando el control remoto:

1. Presione SEL para ingresar al modo de imagen única a ser ajustada
2. Presione MENÚ para ingresar al Menú
3. Use < o > para resaltar la Opción IMAGEN
4. Presione OK para ingresar a la Opción IMAGEN
5. Use < o > para resaltar el ajuste deseado
6. Presione OK para ingresar a la opción de ajuste
7. Use < o > para cambiar las configuraciones
8. Presione OK para salir de la opción de ajuste
9. Presione MENÚ dos veces para regresar a la pantalla principal





## OPCIONES DEL MENÚ: AUDIO DIVIDIDO SELECCIÓN DE ENCENDIDO/APAGADO DEL AUDIO DE LA CÁMARA EN MODO DE IMAGEN DIVIDIDA/CUÁDRUPLE

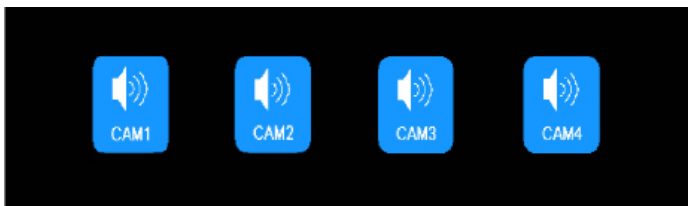
El audio de una cámara se selecciona a través de la opción del menú de audio dividido. Regrese a cualquier modo de imagen de cámara única para ajustar el volumen. El volumen seleccionado durante cualquier modo de imagen de cámara única se transmitirá a todos los demás modos de imagen. El volumen no puede ajustarse durante los modos de imagen dividida o cuádruple.

Usando el monitor:

1. Presione M para ingresar al Menú
2. Use + o - para resaltar la Opción AUDIO DIVIDIDO
3. Presione la flecha hacia abajo para ingresar al menú AUDIO DIVIDIDO
4. Use el + o - para destacar/seleccionar la cámara para transmitir el audio
5. Presione M dos veces para regresar a la pantalla principal

Usando el control remoto:

1. Presione MENÚ para ingresar al Menú
2. Use < o > para resaltar la Opción AUDIO DIVIDIDO
3. Presione OK para ingresar al menú AUDIO DIVIDIDO
4. Use el < o > para destacar/seleccionar la cámara para transmitir el audio
5. Presione MENÚ dos veces para regresar a la pantalla principal



## OPCIONES DEL MENÚ: MIR-CARA OPUESTA OPCIONES DE ROTACIÓN/GIRO

Usando el monitor:

1. Presione S para ingresar al modo de imagen única a ser ajustada.
2. Presione M para ingresar al Menú
3. Use + o - para resaltar la Opción MIR-CARA OPUESTA
4. Presione la flecha hacia abajo para ingresar a la Opción MIR-CARA
5. Use + o - para resaltar la orientación deseada
6. Presione M dos veces para regresar a la pantalla principal

Usando el control remoto:

1. Presione SEL para ingresar al modo de imagen única a ser ajustada
2. Presione MIR para rotar la imagen





## OPCIONES DEL MENÚ: GRABAR OPCIONES DE GRABACIÓN

La función de grabación está protegida por un código de acceso. Se puede establecer un código de acceso numérico inicial de 4 dígitos para tener acceso al menú. Presione la flecha hacia abajo para seleccionar el primer dígito; cuando el número esté de color rojo, use + o - para seleccionar del 0 al 9. Presione la flecha hacia abajo para moverse al siguiente número y continúe hasta que el deseado pin de 4 dígitos esté finalizado. Presione la flecha hacia abajo para confirmar. Este código de acceso también se usará para acceder al menú de reproducción y tendrá estos mismos 4 dígitos. Para poder acceder al menú otra vez, se le pedirá que ingrese nuevamente el código de acceso.

Una vez configurado el código de acceso, puede configurar el inicio de una grabación automática seleccionando el menú de grabación, presionando la flecha hacia abajo. Use + o - para seleccionar ON (encendido) u OFF (apagado). Presione la flecha hacia abajo para salir y presione M para salir del menú.

### Habilitar/Deshabilitar grabación

Un rectángulo azul en la parte superior del monitor indicará grabación activa, siempre y cuando se haya instalado y formateado una tarjeta SD mini. Consulte las secciones siguientes para mayores detalles. Para habilitar o deshabilitar la grabación, presione la flecha hacia abajo en el monitor o OK en el control remoto.

Una vez habilitado SOBRESCRITURA, cualquier grabación que suceda luego que la tarjeta SD mini haya copado su capacidad, el sistema comenzará automáticamente a sobrescribir las grabaciones existentes. Consulte la tabla a continuación para ver las capacidades de grabación.

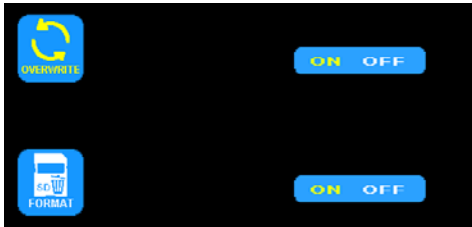
### Para habilitar la sobrescritura o formatear una tarjeta SD mini

Usando el monitor:

1. Presione M para ingresar al Menú
2. Use + o - para resaltar la Opción GRABACIÓN
3. Presione la flecha hacia abajo para ingresar a la Opción GRABACIÓN
4. Use + o - para resaltar el ajuste deseado
5. Presione M dos veces para regresar a la pantalla principal

Usando el control remoto:

1. Presione MENÚ para ingresar al Menú
2. Use + o - para resaltar la Opción GRABACIÓN
3. Presione OK para ingresar a la Opción GRABACIÓN
4. Use < o > para resaltar el ajuste deseado
5. Presione MENÚ dos veces para regresar a la pantalla principal



Modo	8G	16G	32G	64G	128G
ÚNICO (640x480x1)	14h	28h	55h	110h	220h
CUÁDRUPLE (320x240x4)	11h	22h	43h	86h	172h
DIVIDIDO (400x480x2)	13h	25h	50h	101h	201h



## OPCIONES DEL MENÚ: EXPLORACIÓN AUTOMÁTICA OPCIONES DE EXPLORACIÓN AUTOMÁTICA

La EXPLORACIÓN AUTOMÁTICA está deshabilitada por defecto cuando todas las cámaras están configuradas en apagado en el menú EXPLORACIÓN AUTOMÁTICA.

La EXPLORACIÓN AUTOMÁTICA está habilitada una vez que una o más cámaras están configuradas en encendido en el menú EXPLORACIÓN AUTOMÁTICA.

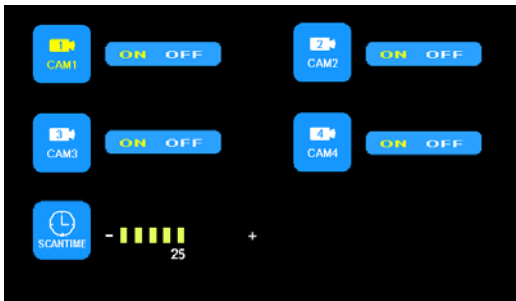
Una vez habilitada, la EXPLORACIÓN AUTOMÁTICA ocurre como un modo de imagen adicional entre los modos Dividido/Cuádruple y los modos de imagen única. El TIEMPO DE EXPLORACIÓN o intervalo de tiempo para cada cámara, se representa en segundos.

Usando el monitor:

1. Presione M para ingresar al Menú
2. Use + o - para resaltar la Opción EXPLORACIÓN AUTOMÁTICA
3. Presione la flecha hacia abajo para ingresar a la Opción EXPLORACIÓN AUTOMÁTICA
4. Use + o - para resaltar el ajuste deseado
5. Presione la flecha hacia abajo para ingresar a la opción de ajuste
6. Use + o - para cambiar las configuraciones
7. Presione la flecha hacia abajo para salir de la opción de ajuste
8. Presione M dos veces para regresar a la pantalla principal

Usando el control remoto:

1. Presione MENÚ para ingresar al Menú
2. Use < o > para resaltar la Opción EXPLORACIÓN AUTOMÁTICA
3. Presione OK para ingresar a la Opción EXPLORACIÓN AUTOMÁTICA
4. Use < o > para resaltar el ajuste deseado
5. Presione OK para ingresar a la opción de ajuste
6. Use < o > para cambiar las configuraciones
7. Presione OK para salir de la opción de ajuste
8. Presione MENÚ dos veces para regresar a la pantalla principal





## OPCIONES DEL MENÚ: SISTEMA OPCIONES DEL SISTEMA

Cuando se encienda ATENUACIÓN AUTOMÁTICA, la luz de fondo automáticamente se ajusta conforme al brillo externo.  
Cuando la LÍNEA B está encendida, se mostrará la etiqueta de distancia electrónica cuando se active el cable del activador 3 de la cámara azul.

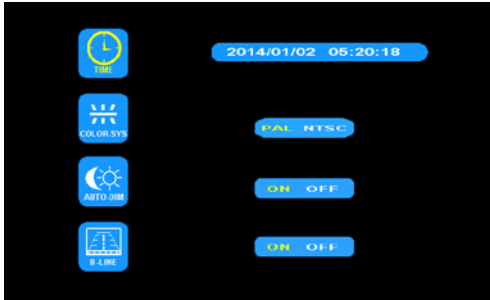
Se encuentran disponibles opciones de los sistemas de colores para PAL y NTSC. PAL ofrece una corrección de color automatizada y 25 cuadros por segundo (fps), popular en Europa y Australia, mientras que NTSC usa corrección de color manual y 30 fps, popular en los EE. UU. y Asia.

Usando el monitor:

1. Presione M para ingresar al Menú
2. Use + o - para resaltar la Opción SISTEMA
3. Presione la flecha hacia abajo para ingresar a la Opción SISTEMA
4. Use + o - para resaltar el ajuste deseado
5. Presione la flecha hacia abajo para ingresar a la opción de ajuste
6. Use + o - para cambiar las configuraciones
7. Presione la flecha hacia abajo para salir de la opción de ajuste
8. Presione M dos veces para regresar a la pantalla principal

Usando el control remoto:

1. Presione MENÚ para ingresar al Menú
2. Use < o > para resaltar la Opción SISTEMA
3. Presione OK para ingresar a la Opción SISTEMA
4. Use < o > para resaltar el ajuste deseado
5. Presione OK para ingresar a la opción de ajuste
6. Use < o > para cambiar las configuraciones
7. Presione OK para salir de la opción de ajuste
8. Presione MENÚ dos veces para regresar a la pantalla principal



## OPCIONES DEL MENÚ: REPRODUCIR REPRODUCCIÓN DE LA GRABACIÓN

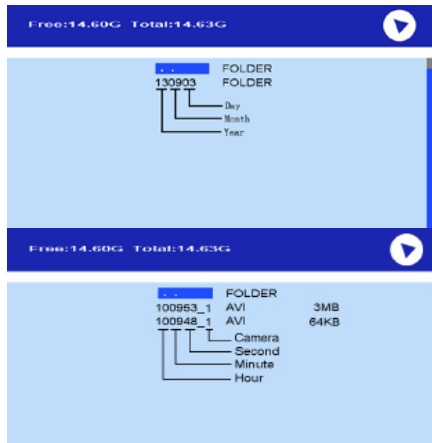
Consulte la sección "Grabación" para configurar el código. Para poder tener acceso al menú luego de la configuración inicial, necesitará el código de acceso.

Usando el monitor:

1. Presione S para ingresar al modo de imagen única a ser ajustada.
2. Presione M para ingresar al Menú
3. Use + o - para resaltar la Opción REPRODUCIR
4. Presione la flecha hacia abajo para ingresar a la Opción REPRODUCIR
5. Use + o - para resaltar la carpeta deseada etiquetada por fechas.  
(Ver a continuación)
6. Presione la flecha hacia abajo para ingresar a la carpeta.
7. Use + o - para resaltar la grabación deseada etiquetada por tiempo y canal de la imagen. (Ver a continuación)
8. Presione la flecha hacia abajo para reproducir la grabación
9. Presione M dos veces para regresar a la pantalla principal

Usando el control remoto:

1. Presione SEL para ingresar al modo de imagen única a ser ajustada
2. Presione MENÚ para ingresar al Menú
3. Use < o > para resaltar la Opción REPRODUCIR
4. Presione OK para ingresar a la Opción REPRODUCIR.
5. Use < o > para resaltar la grabación deseada etiquetada por tiempo y canal de la imagen. (Ver a continuación)
6. Presione OK para ingresar a la carpeta
7. Use < o > para resaltar la grabación deseada etiquetada por tiempo y canal de la imagen. (Ver a continuación)
8. Presione OK para reproducir la grabación
9. Presione MENÚ dos veces para regresar a la pantalla principal





## OPCIONES DEL MENÚ: EMPAREJAR

Usando el monitor:

1. Presione S para ingresar al modo de imagen única a ser emparejada.
2. Presione M para ingresar al Menú
3. Use + o - para resaltar la Opción EMPAREJAMIENTO
4. Presione la flecha hacia abajo para ingresar a la Opción EMPAREJAMIENTO
5. El monitor mostrará el mensaje "EMPAREJAMIENTO INICIO 50" y un contador que contará en forma regresiva 50 segundos. Encienda la cámara dentro de los primeros 45 segundos
6. La cámara se emparejará con el monitor después de 5-8 segundos

Usando el control remoto:

1. Presione SEL para ingresar al modo de imagen única a ser emparejada
2. Presione EMPAREJAR para ingresar a la OPCIÓN EMPAREJAMIENTO
3. El monitor mostrará el mensaje "EMPAREJAMIENTO INICIO 50" y un contador que contará en forma regresiva 50 segundos. Encienda la cámara dentro de los primeros 45 segundos
4. La cámara se emparejará con el monitor después de 5-8 segundos



## Repuestos y accesorios

Descripción	Número de parte
CÁMARA	EC2027-WC
MONITOR	EC7008-WM
CABLE	PCY-7008-WM
ANTENA	ECANTE
ENSAMBLAJE DE PEDESTAL	MB01
VISOR DE SOL	AS7000SS

**Garantía limitada del fabricante y restricción de la responsabilidad:**

El fabricante garantiza que en la fecha de compra este producto cumplirá con las especificaciones del fabricante para este producto (que el fabricante pone a su disposición si se solicitan). Esta garantía limitada se extiende por treinta y seis (36) meses a partir de la fecha de compra.

EL DAÑO A LAS PIEZAS O LOS PRODUCTOS CAUSADO POR LA ALTERACIÓN, ACCIDENTE, ABUSO, MAL USO, NEGLIGENCIA, MODIFICACIONES NO AUTORIZADAS, FUEGO U OTRO PELIGRO; INSTALACIÓN U OPERACIÓN INCORRECTAS; O NO REALIZAR EL MANTENIMIENTO DE ACUERDO CON LOS PROCEDIMIENTOS DE MANTENIMIENTO ESTABLECIDOS EN LAS INSTRUCCIONES DE INSTALACIÓN Y DE OPERACIÓN DEL FABRICANTE ANULA ESTA GARANTÍA LIMITADA.

**Exclusión de otras garantías:**

EL FABRICANTE NO OFRECE NINGUNA OTRA GARANTÍA, EXPRESA O IMPLÍCITA. LAS GARANTÍAS IMPLÍCITAS DE COMERCIABILIDAD, CALIDAD O IDONEIDAD PARA UN OBJETIVO PARTICULAR, O QUE SURJAN DE UNA TRANSACCIÓN, USO O PRÁCTICA DE COMERCIO QUEDAN EXCLUIDAS POR MEDIO DE LA PRESENTE Y NO SERÁN VÁLIDAS PARA EL PRODUCTO, Y SE ANULAN POR MEDIO DE LA PRESENTE, EXCEPTO EN LA MEDIDA EN QUE LO PROHÍBAN LAS LEYES VIGENTES. LAS DECLARACIONES VERBALES O REPRESENTACIONES SOBRE EL PRODUCTO NO CONSTITUYEN GARANTÍAS.

**Compensaciones y restricción de la responsabilidad:**

LA ÚNICA RESPONSABILIDAD DEL FABRICANTE Y LA ÚNICA Y EXCLUSIVA COMPENSACIÓN DEL COMPRADOR EN VIRTUD DE UN CONTRATO, POR ILÍCITO CIVIL O SEGÚN CUALQUIER SUPUESTO EN CONTRA DEL FABRICANTE RESPECTO AL PRODUCTO Y SU USO SERÁ EL REEMPLAZO O LA REPARACIÓN DEL PRODUCTO, O EL REEMBOLSO DEL PRECIO DE COMPRA PAGADO QUE HAYA PAGADO EL COMPRADOR POR EL PRODUCTO QUE NO CUMPLE CON LOS REQUISITOS. EN NINGÚN CASO LA RESPONSABILIDAD DEL FABRICANTE QUE SURJA DE ESTA GARANTÍA LIMITADA O POR CUALQUIER OTRA RECLAMACIÓN RELACIONADA CON LOS PRODUCTOS DEL FABRICANTE EXCEDERÁ LA CANTIDAD QUE EL COMPRADOR PAGÓ POR EL PRODUCTO EN EL MOMENTO DE LA COMPRA ORIGINAL. EN NINGÚN CASO EL FABRICANTE SERÁ RESPONSABLE POR LUCRO CESANTE, EL COSTO DE LA SUSTITUCIÓN DEL EQUIPO O LA MANO DE OBRA, DAÑOS A LA PROPIEDAD U OTROS DAÑOS ESPECIALES, CONSECUENCIALES O INCIDENTALES QUE SE BASEN EN CUALQUIER RECLAMACIÓN POR INCUMPLIMIENTO DE CONTRATO, INSTALACIÓN INAPROPIADA, NEGLIGENCIA O DE OTRO TIPO, INCLUSO SI SE LE HA INFORMADO AL FABRICANTE O A UN REPRESENTANTE DEL FABRICANTE SOBRE LA POSIBILIDAD DE QUE OCURRAN TALES DAÑOS. EL FABRICANTE NO TENDRÁ NINGUNA OTRA OBLIGACIÓN O RESPONSABILIDAD CON RESPECTO AL PRODUCTO O SU VENTA, OPERACIÓN Y USO, Y EL FABRICANTE NO ASUME NI AUTORIZA EL SUPUESTO DE CUALQUIER OTRA OBLIGACIÓN O RESPONSABILIDAD EN RELACIÓN CON DICHO PRODUCTO.

Esta garantía limitada define derechos legales específicos. Usted puede tener otros derechos legales que varían de una jurisdicción a otra. Algunas jurisdicciones no permiten la exclusión ni la limitación de daños incidentales o consecuenciales.

**Declaración de conformidad:**

Este dispositivo cumple con la Parte 15 de las Reglas de la FCC. La operación está sujeta a las siguientes dos condiciones:

- (1) Este dispositivo no puede causar interferencias dañinas.
- (2) Este dispositivo debe aceptar cualquier interferencia recibida, incluyendo interferencias que puedan causar una operación indeseada.



833 West Diamond St.  
Boise, Idaho 83705  
Servicio al cliente  
EE.UU. 800.635.5900  
Reino Unido +44 (0)113 237 5340  
AUS +61 (0)3 63322444  
[www.eccoesg.com](http://www.eccoesg.com)

L'ensemble de caméra sans fil et écran CE7008-WK par ECCO est conçu pour fournir à l'automobiliste une vidéo et audio à partir d'un maximum de quatre caméras individuellement ou ensemble sur un écran partagé pour la sécurité de l'automobiliste. Lorsqu'il est correctement installé et utilisé en conjonction avec les rétroviseurs des véhicules l'ECCO EC7008-WK aide les automobilistes lors de situations de marche arrière et de parking dangereuses. Ce manuel fournit des informations sur l'installation, le fonctionnement, la sécurité, l'entretien, les pièces de rechange et la garantie.



### AVERTISSEMENT !

Ne pas installer ou utiliser ce produit selon les recommandations du fabricant peut provoquer des dommages matériels ou corporels graves, des blessures et/ou la mort pour vous et ceux que vous cherchez à protéger.



**N'installez ou n'utilisez pas ce produit de sécurité à moins que vous ayez lu et compris les informations de sécurité sousmentionnées**

1. L'installation appropriée combinée avec une formation de l'opérateur à l'utilisation, les soins et l'entretien de produits de sécurité sont essentielles pour assurer votre sécurité et celle des personnes que vous essayez de protéger.
2. Faites preuve de prudence lorsque vous travaillez avec des connexions électriques.
3. Ce produit doit être correctement mis à la terre. La mise à la terre insuffisante et/ou un court-circuit des connexions électriques peut provoquer un arc électrique à courant élevé, ce qui peut provoquer des blessures et/ou de graves dommages au véhicule, y compris l'incendie.
4. L'emplacement et l'installation appropriés sont essentiels à la performance de ce produit de sécurité. Installez ce produit de sorte que la performance du système est optimisée et les commandes sont placées à la portée de l'opérateur pour qu'il puisse utiliser le système sans perdre le contact visuel avec la chaussée.
5. Il en incombe à l'opérateur du véhicule de s'assurer qu'en cours de l'utilisation toutes les fonctions de ce produit sont en bon état de marche. En cours d'utilisation, le conducteur du véhicule doit s'assurer que le champ de vue de l'ensemble caméra/écran n'est pas bloqué par des composants du véhicule (ex. Coffre ou portière ouvert) de personnes, de véhicules ou d'autres obstructions.
6. Ne jamais prendre votre droit de passage pour acquis. Vous avez la responsabilité de vous assurer de pouvoir procéder en toute sécurité avant une intersection, la conduite contre le trafic, la conduite à un rythme élevé de vitesse, la marche à travers ou autour des voies de circulation.
7. Cet équipement n'est destiné à être utilisé que par le personnel autorisé. L'utilisateur est responsable de comprendre et d'obéir toutes les lois concernant la sécurité des produits. Par conséquent, l'utilisateur doit observer l'ensemble des lois et règlements fédéraux, de la ville et de l'état. Le fabricant n'assume aucune responsabilité pour toute perte résultant de l'utilisation de ce produit.

### Spécifications :

Caméra	EC2027-WC
Périphérique d'image	1/3 po CMOS
Système de télévision	PAL/NTSC
Taille du tableau	728x488 Pixels
Zone de détection	4,6228mm x 3,6112mm
Système de numérisation	Intralaçement 2:1
Sync. Système	Interne
Résolution	500 lignes TV
Min. Illumination	0.1 Lux (jour), 0 Lux (avec IR)
Microphone	Oui
Sortie vidéo	1.0 vp-p, 75 Ohm
AGC	Auto
Rapport S/N	Mieux que 48 dB
Équilibre blanc	Auto
BLC	Auto
Consommation de courant	Max. 250mA@12V/140mA@24V
Fréquence de fonctionnement	2400-2483.5-MHz
Distance de transmission	120M (sans barrière)
Forme de décompression	MPEG4
Puissance de sortie de transmission	17 dBm
Taux de Bit RF	4Mbps
Température de fonctionnement	-20°C~70°C, RH 90% Max.
Température de stockage	-30°C~80°C, RH 90% Max.

Écran	Écran PEX EC7008-WK 7 po
Taille PEX	7 po
Résolution	800 x 3 (RGB) x 480
Contraste	500:1
Luminosité	400 cd/m <sup>2</sup>
Angle de visualisation	U : 50° / D : 70, R/L : 70
Masque DOT	0,0642(W) x 0,1790(H)
Rapport Aspect	16:9
Canal	4 canaux
Fréquence de fonctionnement	2400 - 2483,5 MHz
Sensibilité de réception	-89 dBm
Forme de décompression	MPEG4
Modulation	2,4G FSK/GFSK
Délai	120ms
Distance de transmission	120 M
Carte Micro-SD/TF	Max. 128G
Format système	PAL/NTSC
Alimentation	DC 10-32V
Consommation électrique	Max. 6W
Haut-parleur	1,5W/8
Température de fonctionnement	-20°→+70°C, RH90%
Température de stockage	-30°→+80°C, RH90%

### Installation, câblage et fonction



**Attention !** Lors du perçage de la surface de n'importe quel véhicule, s'assurer de le faire loin de tous fils électriques, conduites de carburant, sièges de véhicule, etc. qui pourraient être endommagés

#### Remarques :

1. Des câbles plus gros et des connexions bien serrées fourniront une plus longue durée de vie des composants. Pour les câbles à haut courant il est recommandé que les borniers ou les connexions soudées soient utilisés avec des tuyaux thermorétractables pour protéger les connexions. N'utilisez pas de connecteurs autodévidants (p. ex., connecteurs 3M type Scotchlock).
2. Acheminer le câble à l'aide d'oeillets et de joints d'étanchéité lors du passage à travers les parois du compartiment. Réduisez le nombre d'épissures pour réduire la chute de tension. Des températures ambiantes élevées (p. ex., sous-capot) réduiront considérablement la capacité de transport du courant des câbles, fusibles et disjoncteurs. Tout le câblage doit être conforme à la taille minimale et d'autres recommandations du fabricant et être protégé des pièces en mouvement et des surfaces chaudes. Les faisceaux, œillets, attaches de câble, et le matériel d'installation similaire devraient être utilisés pour fixer et protéger tout le câblage.
3. Les fusibles ou disjoncteurs devraient être situés le plus près possible des points de force et être d'une taille adéquate pour protéger le câblage et les appareils.
4. Une attention particulière devrait être accordée à l'emplacement et le mode de connexions électriques et les épissures pour protéger ces points contre la corrosion et la perte de conductivité.
5. La résiliation au sol ne doit être faite qu'à des composants du châssis, de préférence directement à la batterie du véhicule.
6. Les disjoncteurs sont très sensibles aux températures élevées et le déclenchement involontaire lors du montage dans des environnements chauds ou l'exploitation à la limite de leur capacité.

## CAMÉRA MODÈLE EC2027-WC INSTALLATION ET MONTAGE :

**Important !** Monter la caméra à un endroit qui offre le meilleur point de vue de la zone immédiatement derrière le véhicule. En général, les points de montage vers le haut du véhicule offrent le meilleur champ de vision. Les emplacements de montage inférieurs réduisent le champ de vision et augmentent la probabilité de dommages provenant de la pulvérisation.

Retirez avec précaution l'appareil de son emballage. Examinez l'appareil pour déceler les dommages de transport. Si vous constatez des dommages, retournez le produit à votre revendeur local pour remplacement sous garantie. Ne pas utiliser des pièces endommagées ou cassées.

## INSTRUCTIONS DE MONTAGE DE LA CAMÉRA SUR SUPPORT EN U :

1. Sélectionnez une surface plane pour l'installation.
2. Percez les trous de montage à l'aide du support en U comme modèle et fixez le support en U avec le matériel fourni par l'utilisateur.
3. Installez la caméra et le pare-soleil sur le support en U comme illustré à la Figure 1.
4. Ajustez la position de la caméra pour un meilleur angle de vue avant de serrer les deux vis sur chaque extrémité.
5. Fixez l'antenne de manière à ce qu'elle soit verticale.

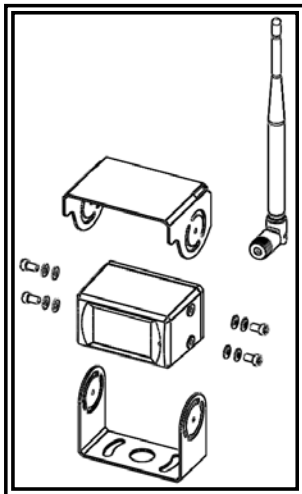


Figure 1

Pour référence seulement

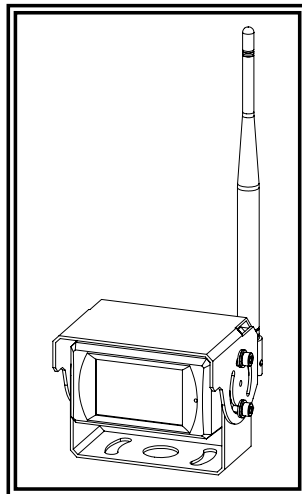


Figure 2

## INSTRUCTIONS DE CÂBLAGE :

**Important !** Imperméabilisez toutes les connexions à l'intérieur ou à l'extérieur du véhicule à l'aide d'un agent d'étanchéité et l'enrubannage avec du ruban isolant. Enveloppez hermétiquement de bandes qui se chevauchent, par une demi-largeur pour éviter les lacunes.

L'appareil est conçu pour des systèmes électriques de 12 à 24 VCC (extrêmes de 10 à 30 V C.C.).

Le câblage de tous les systèmes est :

Fil rouge positif (+)  
Fil noir négatif (-)

Tout le câblage doit être un minimum de 20 AWG.  
Un fusible de 3 amp sur la ligne positive est nécessaire (voir la Figure 3).

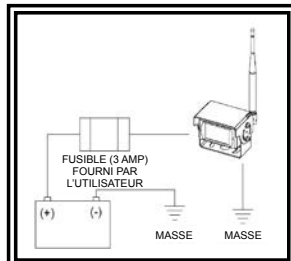


Figure 3



## MODÈLE D'ÉCRAN EC7008-WM INSTALLATION ET MONTAGE :

**AVERTISSEMENT !**  
Pour éviter tout risque de choc, **N'OUVREZ PAS LE BOÎTIER DE L'ÉCRAN**. L'ouverture du boîtier de l'écran exposera l'intérieur de l'écran aux conditions qui pourraient affecter les performances. Toute preuve de l'altération des composants scellés annulera la garantie.

**Important !** Ne pas exposer le moniteur à l'eau, il n'est pas étanche. Toute fuite d'eau sur l'écran peut causer des dommages graves.

Retirez avec précaution l'appareil de son emballage. Examinez l'appareil pour déceler les dommages de transport. Si vous constatez des dommages, retournez le produit à votre revendeur local pour remplacement sous garantie. Ne pas utiliser des pièces endommagées ou cassées.

### Instructions de montage de l'écran sur support en U :

1. Sélectionnez une surface plane pour l'installation.
2. Percez les trous de montage à l'aide du support en U comme modèle et fixez le support en U avec le matériel fourni par l'utilisateur.
3. Installez le moniteur sur le support en U comme illustré à la Figure 4. Ajustez la position de l'écran pour un meilleur angle de vue avant de serrer les deux vis sur chaque extrémité.
4. Fixez le pare-soleil, comme illustré. Connectez les antennes les pointant vers le haut.

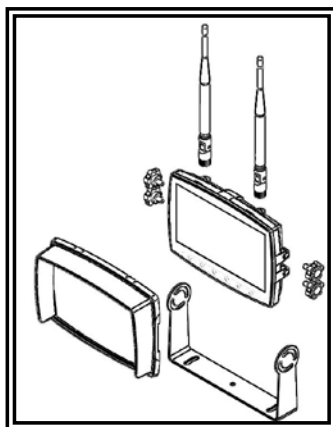


Figure 4

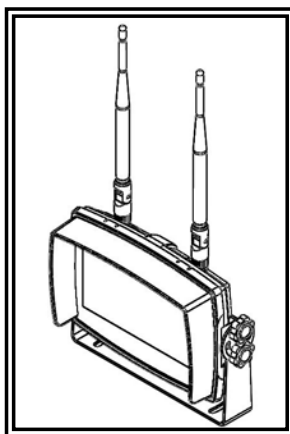


Figure 5

### Instructions de montage sur socle :

1. Sélectionnez une surface plane pour l'installation.
2. Pour monter le socle à l'aide d'un adhésif, préparez la surface en la frottant avec de l'alcool avant l'installation.
3. Pour monter le socle à l'aide de vis, percez les trous de montage en utilisant le socle comme gabarit et fixez-le avec le matériel fourni par l'utilisateur.
4. Installez l'écran et le pare-soleil sur le socle comme illustré à la Figure 7. Ajustez la position de l'écran pour un meilleur angle de vue avant de serrer les vis de fixation sur chaque extrémité. Connectez les antennes les pointant vers le haut.

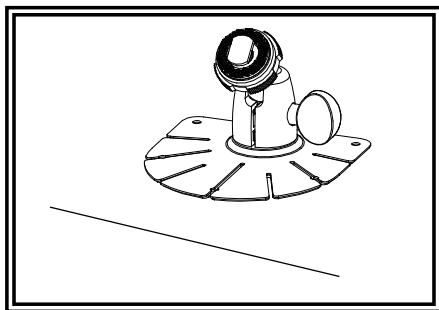


Figure 6

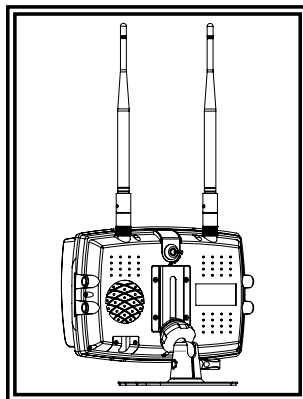


Figure 7

## INSTRUCTIONS DE CÂBLAGE :

**Important !** Imperméabilisez toutes les connexions à l'intérieur ou à l'extérieur du véhicule à l'aide d'un agent d'étanchéité et l'enrubannage avec du ruban isolant. Enveloppez hermétiquement de bandes qui se chevauchent, par une demi-largeur pour éviter les lacunes.

### Remarques :

1. Des câbles plus gros et des connexions bien serrées fourniront une plus longue durée de vie des composants. Pour les câbles à haut courant il est recommandé que les borniers ou les connexions soudées soient utilisés avec des tuyaux thermorétractables pour protéger les connexions. N'utilisez pas de connecteurs autodébrutants (p. ex., connecteurs 3M type Scotchlock)
2. Acheminer le câble à l'aide d'oeillets et de joints d'étanchéité lors du passage à travers les parois du compartiment. Réduisez le nombre d'épissures pour réduire la chute de tension. Des températures ambiantes élevées (p. ex., sous-capot) réduiront considérablement la capacité de transport du courant des câbles, fusibles et disjoncteurs. Tout le câblage doit être conforme à la taille minimale et d'autres recommandations du fabricant et être protégé des pièces en mouvement et des surfaces chaudes. Les faisceaux, œillets, attaches de câble, et le matériel d'installation similaire devraient être utilisés pour fixer et protéger tout le câblage.
3. Les fusibles ou disjoncteurs devraient être situés le plus près possible des points de force et être d'une taille adéquate pour protéger le câblage et les appareils.
4. Une attention particulière devrait être accordée à l'emplacement et le mode de connexions électriques et les épissures pour protéger ces points contre la corrosion et la perte de conductivité.
5. La réisolation au sol ne doit être faite qu'à des composants du châssis, de préférence directement à la batterie du véhicule.
6. Les disjoncteurs sont très sensibles aux températures élevées et le déclenchement involontaire lors du montage dans des environnements chauds ou l'exploitation à la limite de leur capacité.

L'appareil est conçu pour des systèmes électriques de 12 à 24 VCC (extrêmes de 10 à 30 V C.C.).

Les options de câblage sont comme suit dans la Figure 8 :

Tout le câblage doit être un minimum de 26 AWG. Un fusible de 3 amp pour l'écran sur la ligne positive est nécessaire.

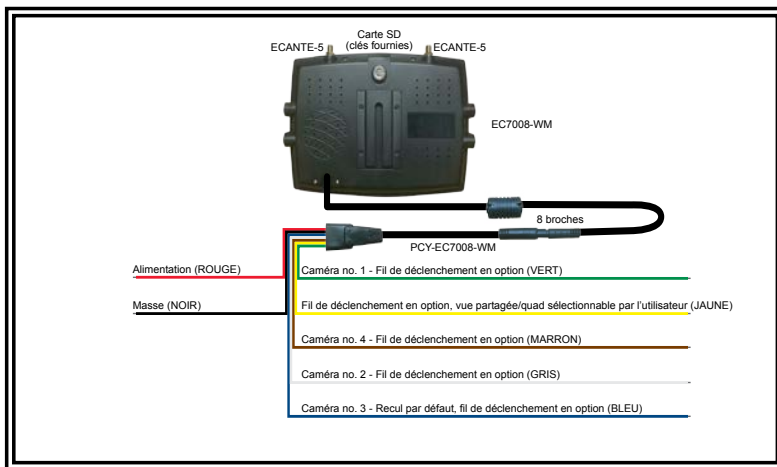
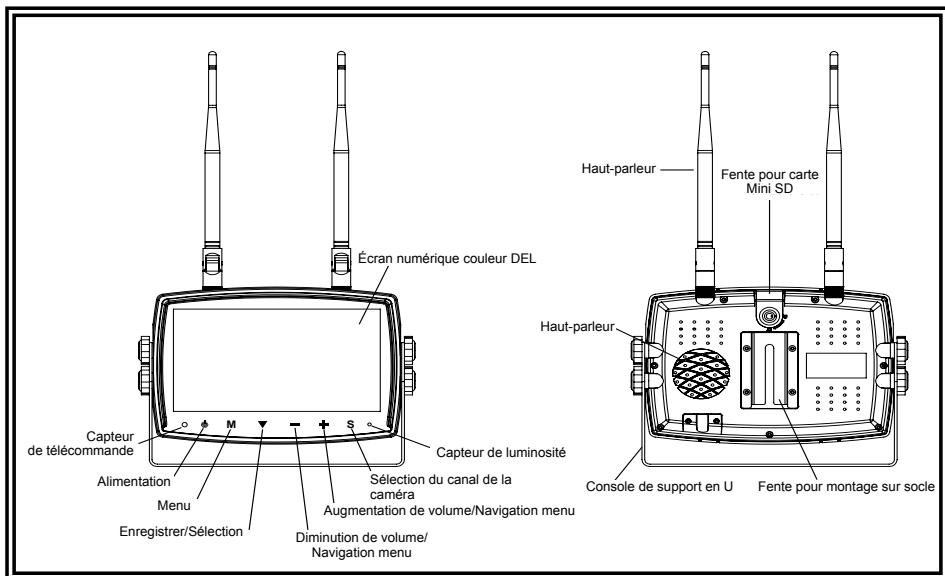
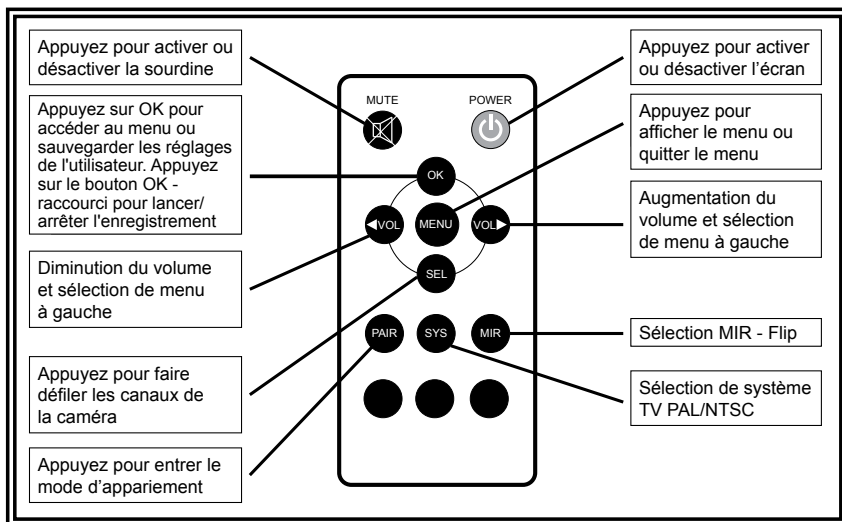


Figure 8



**IDENTIFICATION DE PIÈCES DE L'ÉCRAN**



**AVERTISSEMENT !**

1. Veuillez aligner la télécommande avec la fenêtre du récepteur du signal de télécommande pour utiliser.
2. Ne démontez jamais la télécommande, la faire tomber ou la mouiller.

## RÉGLAGE DU VOLUME

Pendant les modes image unique, le volume peut être réglé à l'aide des boutons + et - de l'écran ou des boutons < et > de la télécommande.

Pendant les modes fractionné/quad l'audio d'une caméra est sélectionné via l'option du menu audio fractionné, lire ci-dessous pour obtenir plus de détails. Retournez à n'importe quel mode d'image pour régler le volume.

## SÉLECTIONNER AFFICHAGE DUPLEX DE CAMÉRA

Appuyez sur le bouton « S » sur l'écran jusqu'à ce que l'affichage Duplex CAM1 et CAM2 s'affiche à l'écran. Appuyez sur + ou - sur l'écran (ou < ou > sur la télécommande) pour parcourir tous les affichages Duplex de la caméra.

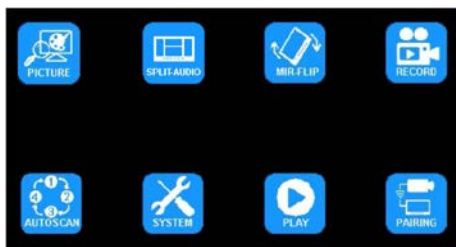
## NEUTRALISATION DE LA SÉLECTION DUPLEX/QUAD

Pour sélectionner le bouton de neutralisation jaune, appuyez sur le bouton jusqu'à ce que le duplex CAM1 et CAM2 est à l'écran. Appuyez sur le bouton + ou - sur l'écran (< ou > sur la télécommande) pour passer en revue toutes les vues duplex de la caméra, y compris le mode quad. Appliquez sans relâcher l'alimentation au fil déclencheur jaune et appuyez sur le bouton + ou - sur l'écran (< ou > sur la télécommande) pour passer en revue tous les affichages de la caméra. Cette vue est prioritaire sur toutes les vues standard lorsque le bouton jaune est activé.

## OPTIONS DE MENU

Appuyez sur M (ou MENU sur la télécommande) pour afficher les paramètres et options suivantes :

- |                   |                |
|-------------------|----------------|
| 1. IMAGE          | 5. AUTOSCAN    |
| 2. DUPLEX-AUDIO   | 6. SYSTÈME     |
| 3. MIR-FLIP       | 7. JOUER       |
| 4. ENREGISTREMENT | 8. APPARIEMENT |



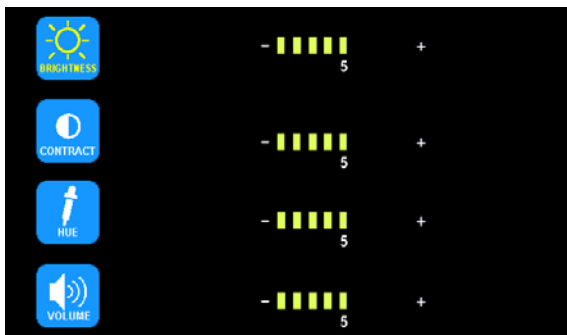
### OPTION DE MENU : IMAGE OPTIONS DU MODE IMAGE

Utilisation de l'écran :

1. Appuyez sur S pour accéder au mode image unique à ajuster
2. Appuyez sur M pour accéder au Menu
3. Utilisez les touches + ou - pour mettre en évidence l'option IMAGE
4. Appuyez sur la flèche vers le bas pour entrer l'option IMAGE
5. Utilisez les touches + ou - pour mettre en évidence le réglage souhaité
6. Appuyez sur la flèche vers le bas pour entrer l'option de réglage
7. Utilisez les touches + ou - pour modifier les réglages
8. Appuyez sur la flèche vers le bas pour quitter l'option de réglage
9. Appuyez sur M deux fois pour revenir à l'écran principal

Utiliser la télécommande :

1. Appuyez sur SEL pour accéder au mode image unique à ajuster.
2. Appuyez sur Menu pour accéder au Menu
3. Utilisez les touches < ou > pour mettre en évidence l'option IMAGE
4. Appuyez sur OK pour entrer l'option IMAGE
5. Utilisez les signes < ou > pour mettre en évidence le réglage souhaité
6. Appuyez sur OK pour entrer l'option de réglage
7. Utilisez les signes < ou > pour modifier les réglages
8. Appuyez sur OK pour quitter l'option de réglage
9. Appuyez sur MENU deux fois pour revenir à l'écran principal





## OPTION DE MENU : DUPLEX-AUDIO SÉLECTION CAMÉRA MODE IMAGE DUPLEX/QUAD AUDIO ACTIVÉ/DÉSACTIVÉ

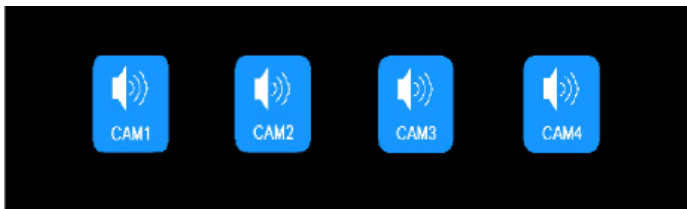
L'audio d'une caméra est sélectionné via l'option du menu audio fractionné. Retournez à n'importe quel mode d'image pour régler le volume. Le volume sélectionné pendant tout mode d'image d'une caméra se transmettra à tous les autres modes d'image. Le volume ne peut pas être ajusté en mode fractionner ou quad.

Utilisation de l'écran :

1. Appuyez sur M pour accéder au Menu
2. Utilisez les touches + ou - pour mettre en évidence l'option DUPLEX-AUDIO
3. Appuyez sur la flèche vers le bas pour entrer l'option DUPLEX-AUDIO
4. Utilisez + ou - pour surligner/sélectionner l'appareil photo pour diffuser l'audio
5. Appuyez deux fois sur M pour revenir à l'écran principal

Utiliser la télécommande :

1. Appuyez sur Menu pour accéder au Menu
2. Utilisez les touches < ou > pour mettre en évidence l'option DUPLEX-AUDIO
3. Appuyez sur OK pour entrer l'option DUPLEX-AUDIO
4. Utilisez < ou > pour surligner/sélectionner l'appareil photo pour diffuser l'audio
5. Appuyez deux fois sur MENU pour revenir à l'écran principal



## OPTION DE MENU : MIR-FLIP OPTIONS DE BASCULE/ROTATION

Utilisation de l'écran :

1. Appuyez sur S pour accéder au mode image unique à ajuster
2. Appuyez sur M pour accéder au Menu
3. Utilisez les touches + ou - pour mettre en évidence l'option MIR-FLIP
4. Appuyez sur la flèche vers le bas pour entrer l'option MIR-FLIP
5. Utilisez les touches + ou - pour mettre en évidence l'orientation souhaitée
6. Appuyez sur M deux fois pour revenir à l'écran principal

Utiliser la télécommande :

1. Appuyez sur SEL pour accéder au mode image unique à ajuster
2. Appuyez sur MIR pour faire pivoter l'image





## OPTION DE MENU : ENREGISTRER OPTIONS D'ENREGISTREMENT

La fonction d'enregistrement est protégée par un code d'accès. Lors de la configuration initiale, un code numérique à 4 chiffres peut être mis en place afin d'accéder au menu. Appuyez sur la flèche vers le bas pour sélectionner le premier chiffre, lorsque le numéro est rouge utilisez + ou - pour sélectionner de 0 à 9, appuyez sur la flèche vers le bas pour passer au chiffre suivant et continuer jusqu'à ce que le code pin à 4 chiffres est entré. Appuyez sur la flèche le bas pour confirmer. Ce code d'accès sera également utilisé pour l'accès à la lecture du menu et contiendra les mêmes 4 chiffres. Afin d'accéder au menu de nouveau, vous serez invité à entrer le code d'accès encore une fois.

Une fois que le code a été mis en place vous pouvez définir un enregistrement automatique au démarrage en sélectionnant le menu enregistrement en appuyant sur la flèche vers le bas. Utiliser la touche + ou - pour sélectionner ON (marche) ou OFF (arrêt). Appuyez sur la flèche vers le bas pour quitter et appuyez sur M pour quitter le menu.

### Activer/Désactiver l'enregistrement

Un rectangle bleu en haut de l'écran indique que l'enregistrement actif aussi longtemps qu'une mini carte SD a été installée et formatée. Voir les sections supplémentaires pour plus de détails. Pour activer ou désactiver l'enregistrement, appuyez sur la flèche vers le bas sur l'écran ou sur la touche OK de la télécommande.

Une fois que NEUTRALISER est activé, tout enregistrement qui a lieu après la mini-SD est à pleine capacité, le système va automatiquement commencer à effacer des enregistrements existants. Voir le tableau ci-dessous pour les capacités d'enregistrement.

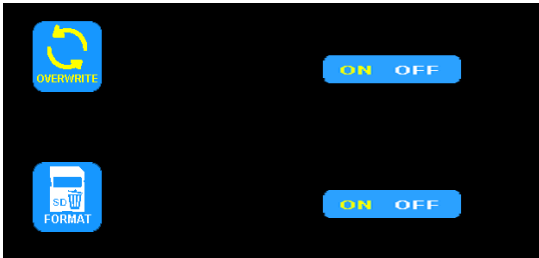
### Pour activer la neutralisation ou formater une carte mini SG

Utilisation de l'écran :

1. Appuyez sur M pour accéder au Menu
2. Utilisez les touches + ou - pour mettre en évidence l'option ENREGISTREMENT
3. Appuyez sur la flèche vers le bas pour entrer l'option ENREGISTREMENT
4. Utilisez les touches + ou - pour mettre en évidence le réglage souhaité
5. Appuyez sur M deux fois pour revenir à l'écran principal

Utiliser la télécommande :

1. Appuyez sur Menu pour accéder au Menu
2. Utilisez les signes < ou > pour mettre en évidence l'option ENREGISTREMENT
3. Appuyez sur OK pour entrer l'option ENREGISTREMENT
4. Utilisez les signes < ou > pour mettre en évidence le réglage souhaité
5. Appuyez sur MENU deux fois pour revenir à l'écran principal



Mode	8G	16G	32G	64G	128G
UNIQUE (640x480x1)	14h	28h	55h	110h	220h
QUAD (320x240x4)	11h	22h	43h	86h	172h
PARTAGÉ (400x480x2)	13h	25h	50h	101h	201h



## OPTION DE MENU : AUTOSCAN OPTIONS AUTOSCAN

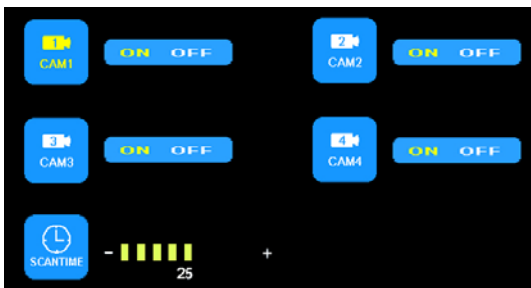
L'AUTOSCAN est désactivé par défaut lorsque toutes les caméras sont sur off dans le menu AUTOSCAN. L'AUTOSCAN est activé lorsque toutes les caméras sont sur ON dans le menu AUTOSCAN. Une fois activée, la fonction AUTOSCAN se produit comme mode d'image supplémentaire entre les modes Partagé/Quad et les modes d'image unique. Le SCANTIME ou intervalle de temps pour chaque caméra est en secondes.

Utilisation de l'écran :

1. Appuyez sur M pour accéder au Menu
2. Utilisez les touches + ou - pour mettre en évidence l'option AUTOSCAN
3. Appuyez sur la flèche vers le bas pour entrer l'option AUTOSCAN
4. Utilisez les touches + ou - pour mettre en évidence le réglage souhaité
5. Appuyez sur la flèche vers le bas pour entrer l'option de réglage
6. Utilisez les touches + ou - pour modifier les réglages
7. Appuyez sur la flèche vers le bas pour quitter l'option de réglage
8. Appuyez sur M deux fois pour revenir à l'écran principal

Utiliser la télécommande :

1. Appuyez sur Menu pour accéder au Menu
2. Utilisez les touches < ou > pour mettre en évidence l'option AUTOSCAN
3. Appuyez sur OK pour entrer l'option AUTOSCAN
4. Utilisez les signes < ou > pour mettre en évidence le réglage souhaité
5. Appuyez sur OK pour entrer l'option de réglage
6. Utilisez les signes < ou > pour modifier les réglages
7. Appuyez sur OK pour quitter l'option de réglage
8. Appuyez sur MENU deux fois pour revenir à l'écran principal





## OPTION DE MENU : SYSTÈME OPTIONS DU SYSTÈME

Lorsque AUTO-DIM est réglé sur ON, le rétro-éclairage s'ajuste automatiquement en fonction de la luminosité extérieure.  
Lorsque B-Line est sur ON, l'étiquette électronique de distance s'affiche lorsque la caméra bleue 3 fils de déclenchement est activée.

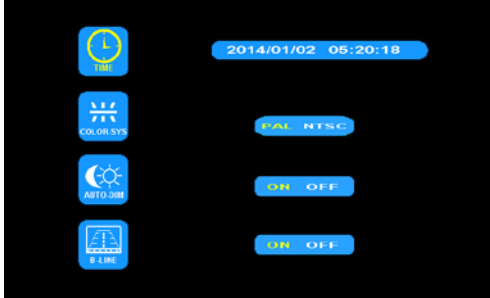
Les options de système couleur PAL et NTSC sont disponibles. Le système PAL offre une correction de couleurs automatique 25 images par seconde (fps), populaire en Europe et en Australie, alors que NTSC utilise la correction manuelle des couleurs et 30 fps, populaire aux États-Unis et en Asie.

Utilisation de l'écran :

1. Appuyez sur M pour accéder au Menu
2. Utilisez les touches + ou - pour mettre en évidence l'option SYSTÈME
3. Appuyez sur la flèche vers le bas pour entrer l'option SYSTÈME
4. Utilisez les touches + ou - pour mettre en évidence le réglage souhaité
5. Appuyez sur la flèche vers le bas pour entrer l'option de réglage
6. Utilisez les touches + ou - pour modifier les réglages
7. Appuyez sur la flèche vers le bas pour quitter l'option de réglage
8. Appuyez sur M deux fois pour revenir à l'écran principal

Utiliser la télécommande :

1. Appuyez sur Menu pour accéder au Menu
2. Utilisez les signes < ou > pour mettre en évidence l'option SYSTÈME
3. Appuyez sur OK pour entrer l'option SYSTÈME
4. Utilisez les signes < ou > pour mettre en évidence le réglage souhaité
5. Appuyez sur OK pour entrer l'option de réglage
6. Utilisez les signes < ou > pour modifier les réglages
7. Appuyez sur OK pour quitter l'option de réglage
8. Appuyez sur MENU deux fois pour revenir à l'écran principal



## OPTION DE MENU : JOUER LECTURE DE L'ENREGISTREMENT

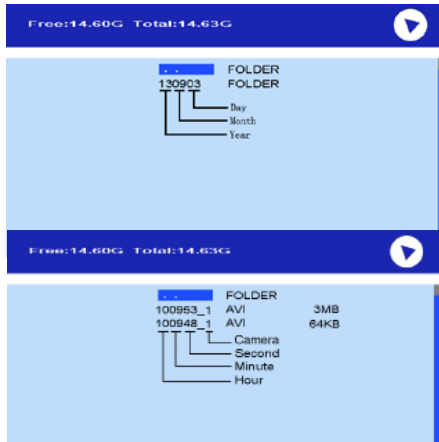
Voir la section enregistrement pour la configuration du code d'accès. Pour accéder au menu après la configuration initiale vous aurez besoin du code d'accès.

Utilisation de l'écran :

1. Appuyez sur S pour accéder au mode image unique à ajuster
2. Appuyez sur M pour accéder au Menu
3. Utilisez les touches + ou - pour mettre en évidence l'option LECTURE
4. Appuyez sur la flèche vers le bas pour entrer l'option LECTURE
5. Utilisez les touches + ou - pour sélectionner le dossier nommé par les dates. (Voir ci-dessous)
6. Appuyez sur la flèche vers le bas pour entrer au dossier
7. Utilisez les touches + ou - pour sélectionner l'enregistrement nommé par le canal de l'heure et de l'image. (Voir ci-dessous)
8. Appuyez sur la flèche vers le bas pour lire l'enregistrement
9. Appuyez sur M deux fois pour revenir à l'écran principal

Utiliser la télécommande :

1. Appuyez sur SEL pour accéder au mode image unique à ajuster
2. Appuyez sur Menu pour accéder au Menu
3. Utilisez les touches < ou > pour mettre en évidence l'option LECTURE
4. Appuyez sur OK pour entrer l'option LECTURE
5. Utilisez les touches + ou - pour sélectionner l'enregistrement nommé par le canal de l'heure et de l'image. (Voir ci-dessous)
6. Appuyez sur OK pour accéder au dossier
7. Utilisez les touches + ou - pour sélectionner l'enregistrement nommé par le canal de l'heure et de l'image. (Voir ci-dessous)
8. Appuyez sur OK pour lire l'enregistrement
9. Appuyez sur MENU deux fois pour revenir à l'écran principal





## OPTION DE MENU : APPARIEMENT

Utilisation de l'écran :

1. Appuyez sur S pour accéder au mode image unique à jumeler
2. Appuyez sur M pour accéder au Menu
3. Utilisez les touches + ou - pour mettre en évidence l'option APPARIEMENT
4. Appuyez sur la flèche vers le bas pour entrer l'option APPARIEMENT
5. L'écran affiche le message « DÉMARRAGE DE L'APPARIEMENT 50 » et un compteur qui décompte à 50 secondes. Activez la caméra dans les 45 premières secondes
6. La caméra s'apparie au moniteur après 5 à 8 secondes

Utiliser la télécommande :

1. Appuyez sur SEL pour accéder au mode image unique à jumeler
2. Appuyez sur PAIR pour entrer l'option APPARIEMENT
3. L'écran affiche le message « DÉMARRAGE DE L'APPARIEMENT 50 » et un compteur qui décompte à 50 secondes. Activez la caméra dans les 45 premières secondes
4. La caméra s'apparie au moniteur après 5 à 8 secondes



## Pièces de rechange et accessoires

Description	Numéro de référence
CAMÉRA	EC2027-WC
ÉCRAN	EC7008-WM
CÂBLE	PCY-7008-WM
ANTENNE	ECANTE
MONTAGE SUR SOCLE	MB01
PARE-SOLEIL	AS7000SS



**Garantie limitée du fabricant et limitation de responsabilité :**

Le Fabricant garantit qu'à la date de l'achat, ce produit est conforme aux spécifications du Fabricant le concernant (qui sont disponibles sur demande auprès du Fabricant). Cette Garantie limitée s'étend sur trente six (36) mois à compter de la date d'achat.

LES DOMMAGES À DES PIÈCES OU À DES PRODUITS RÉSULTANT D'UNE ALTÉRATION, D'UN ACCIDENT, D'UN ABUS, D'UNE NÉGLIGENCE, DE MODIFICATIONS NON AUTORISÉES, D'UN INCENDIE OU DE TOUT AUTRE DANGER ; DE L'INSTALLATION OU D'UNE UTILISATION INCORRECTE ; OU D'UN DÉFAUT D'ENTRETIEN CONFORME AUX PROCÉDURES DE MAINTENANCE DÉCRITES DANS LES CONSIGNES D'INSTALLATION ET D'UTILISATION DU FABRICANT ANNULENT CETTE GARANTIE LIMITÉE.

**Exclusion d'autres garanties :**

LE FABRICANT N'ÉMET AUCUNE AUTRE GARANTIE, QU'ELLE SOIT EXPRESSE OU IMPLICITE. LES GARANTIES IMPLICITES DE QUALITÉ MARCHANDE, DE QUALITÉ OU D'ADAPTATION À UN OBJECTIF PARTICULIER, OU DÉCOULANT D'UNE TRANSACTION, D'UN USAGE OU DE PRATIQUES COMMERCIALES, SONT EXCLUES PAR LES PRÉSENTES, NE S'APPLIQUERONT PAS AU PRODUIT, ET SONT DÉCLINÉES PAR LES PRÉSENTES, EXCEPTÉ DANS LA MESURE INTERDITE PAR LA LÉGISLATION EN VIGUEUR. LES DÉCLARATIONS ORALES OU AUTRES DÉCLARATIONS CONCERNANT LE PRODUIT NE CONSTITUENT PAS DES GARANTIES.

**Recours et limitation de responsabilité :**

LA SEULE RESPONSABILITÉ DU FABRICANT ET LE RECOURS EXCLUSIF DE L'ACHETEUR CONTRE LE FABRICANT, PAR CONTRAT, EN CAS DE DÉLIT (Y COMPRIS LA NÉGLIGENCE), OU SELON TOUTE AUTRE THÉORIE, EN CE QUI CONCERNE LE PRODUIT ET SON UTILISATION, SE LIMITERONT, À LA DISCRÉTION DU FABRICANT, AU REMPLACEMENT OU À LA RÉPARATION DU PRODUIT, OU AU REMBOURSEMENT DU PRIX D'ACHAT PAYÉ PAR L'ACHETEUR POUR LE PRODUIT NON CONFORME. EN AUCUN CAS LA RESPONSABILITÉ DU FABRICANT DÉCOULANT DE CETTE GARANTIE LIMITÉE OU DE TOUTE AUTRE RÉCLAMATION RELATIVE AUX PRODUITS DU FABRICANT NE DÉPASSERA LE MONTANT PAYÉ PAR L'ACHETEUR POUR LE PRODUIT AU MOMENT DE L'ACHAT INITIAL. EN AUCUN CAS LE FABRICANT NE POURRA ÊTRE TENU POUR RESPONSABLE DE LA PERTE DE PROFITS, DU COÛT DE L'ÉQUIPEMENT OU DE LA MAIN D'ŒUVRE DE REMPLACEMENT, DES DOMMAGES MATÉRIELS, OU D'AUTRES DOMMAGES SPÉCIAUX, CONSÉCUTIFS OU INCIDENTS EN SE BASANT SUR UNE RÉCLAMATION POUR RUPTURE DE CONTRAT, INSTALLATION INAPPROPRIÉE, NÉGLIGENCE OU TOUTE AUTRE RÉCLAMATION, MÊME SI LE FABRICANT OU UN REPRÉSENTANT DU FABRICANT A ÉTÉ AVERTI DE LA POSSIBILITÉ DE TELS DOMMAGES. LE FABRICANT N'A AUCUNE AUTRE OBLIGATION OU RESPONSABILITÉ EN CE QUI CONCERNE LE PRODUIT OU SA VENTE, SON FONCTIONNEMENT ET SON UTILISATION, ET LE FABRICANT N'ASSUME NI N'AUTORISE EN AUCUN CAS L'HYPOTHÈSE D'UNE AUTRE OBLIGATION OU RESPONSABILITÉ EN RELATION AVEC CE PRODUIT.

Cette Garantie limitée définit des droits légaux spécifiques. Vous pouvez avoir d'autres droits légaux qui varient d'une juridiction à l'autre. Certaines juridictions ne permettent pas l'exclusion ou la limitation des dommages indirects ou consécutifs.

**Déclaration de conformité:**

Cet appareil est conforme à la partie 15 des règles de la FCC.

L'utilisation est sujette aux deux conditions suivantes :

- (1) Cet appareil ne peut pas causer des interférences nuisibles
- (2) Cet appareil doit accepter toute interférence reçue, y compris les interférences qui pourraient causer un fonctionnement non souhaité.



833 West Diamond St  
Boise, Idaho 83705

Le Service Client

États-Unis 800.635.5900

Royaume-Uni +44 (0)113 237 5340

AUS +61 (0)3 63322444

[www.eccoescg.com](http://www.eccoescg.com)